

## Adaptor

### Technical data

TH accessories category

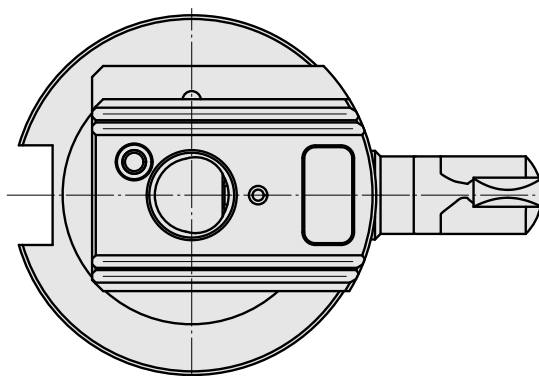
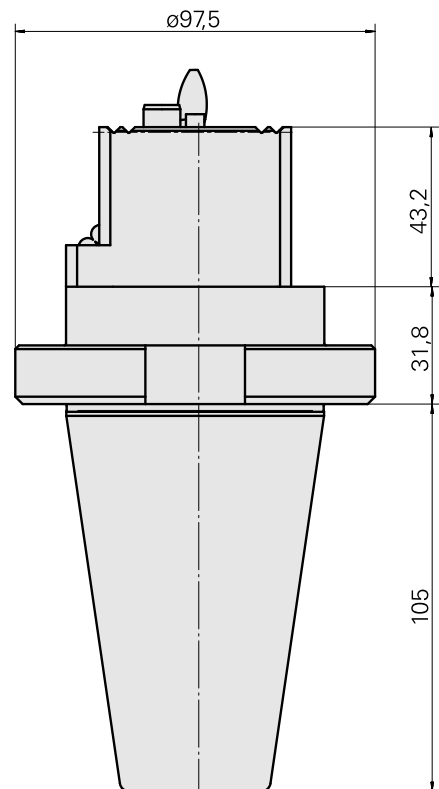
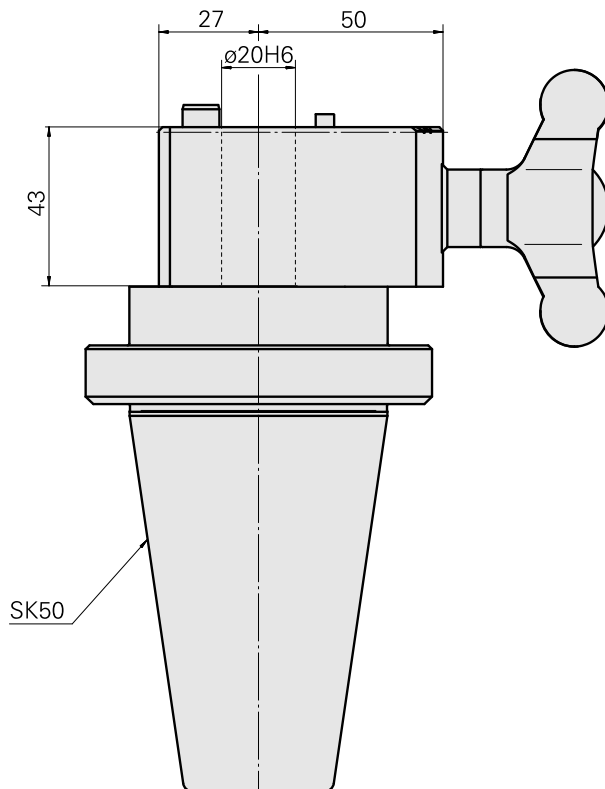
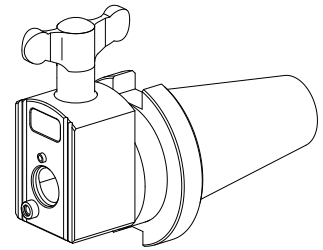
Adapter for presetting units

Mounting

SK50

Tool mounting

VDI 20



## **Documents**

No downloads available for this product