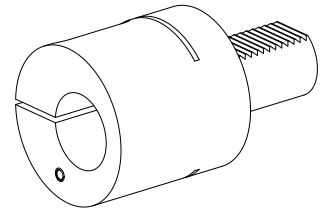


Drilling tool holder VDI 40 D40

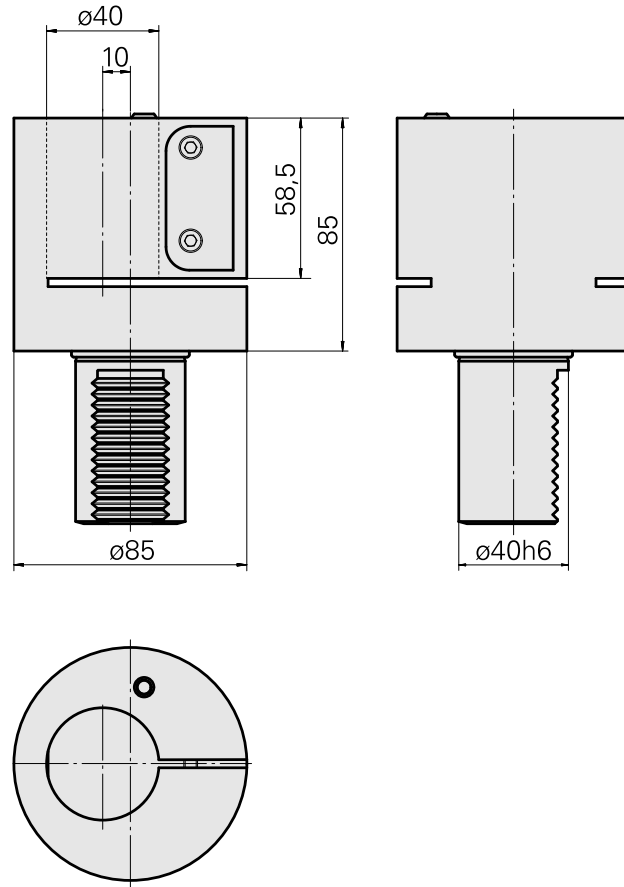
Technical data

Shank VDI	VDI 40
Drive	not live
Fixation VDI	none
Cooling	external
Pressure	20 bar
Mounting	D40
reversible 180°	no
X [mm]	85 (3.35")
Y [mm]	–
Z [mm]	10 (0.39)
INDEX TRAUB products	V200 • V160C • V160G • V300 • TNA400 • B400 • B500 • TNA500.2 • TNA400.2 • TNA400.3 • B400.3 • B500.3 • TNA500.3



Note

Eccentric mounting!



Documents

No downloads available for this product

Accessories

Optional accessories

Other accessories

[Mounting sleeve D40 2x holes](#)

Product ID : 10159790

Previous product ID : W64220.02--

[Mounting sleeve D40 3x holes](#)

Product ID : 10789882

Previous product ID : W64221.14--

[SPRAY NOZZLE 14D/M6](#)

Product ID : 10358770

Previous product ID : 474550.0121
