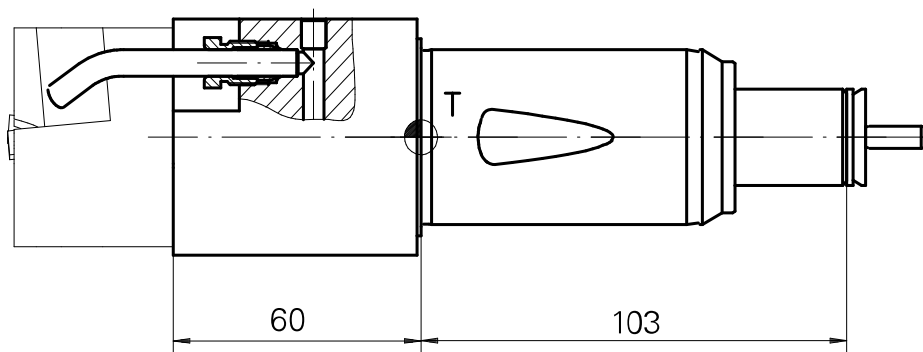
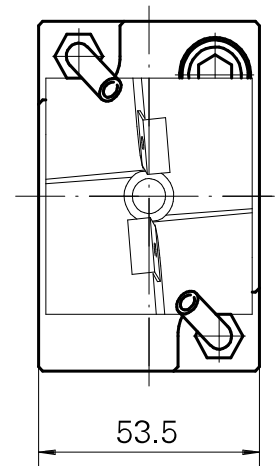
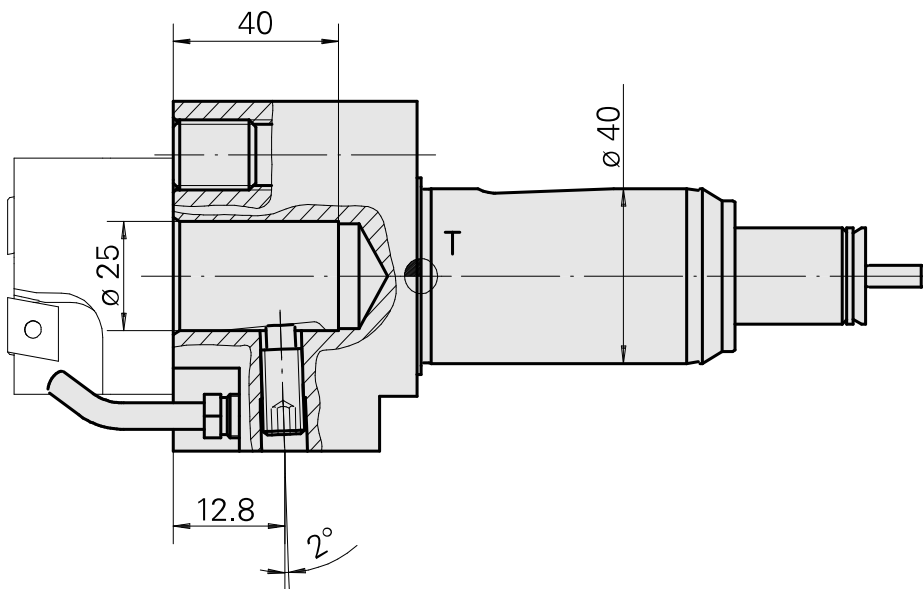
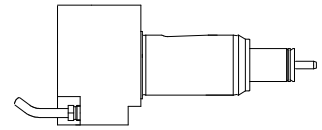


Drilling tool holder Shank 40 DIN 1835 E

Technical data

Shank TNL	Shank 40
Drive	not live
Cooling	external
Pressure	120 bar
Mounting	D25
INDEX TRAUB products	TNK36 • TNL26



11005237
984763

INDEX

Documents

No downloads available for this product