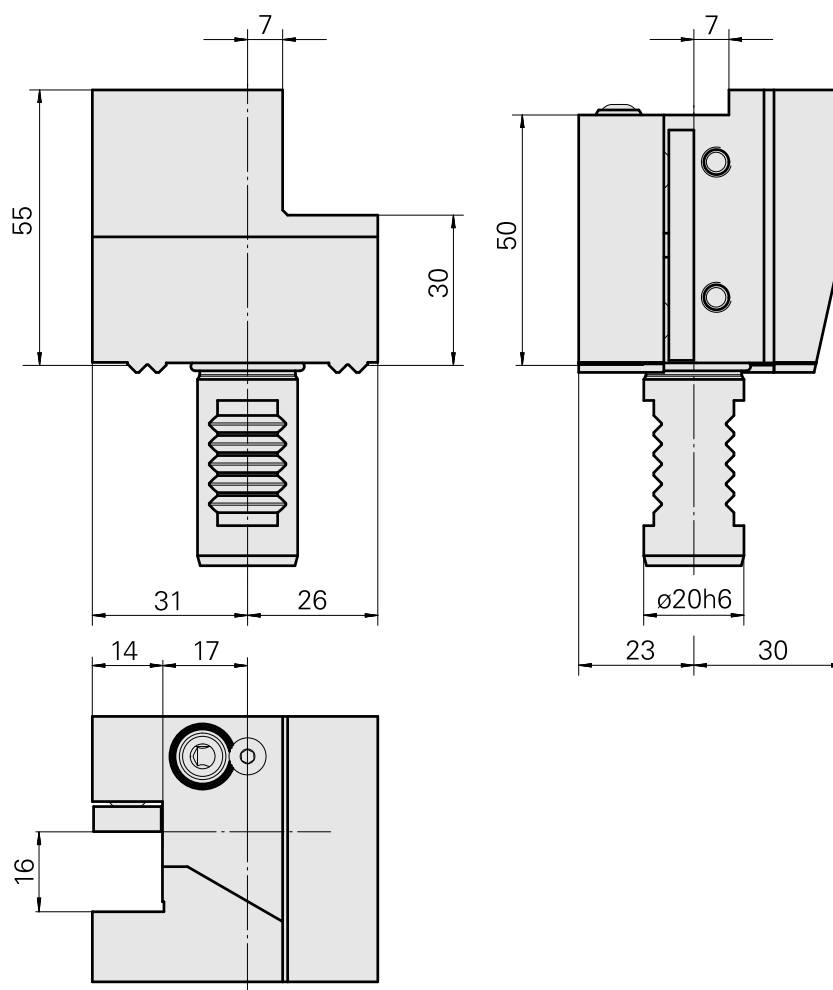
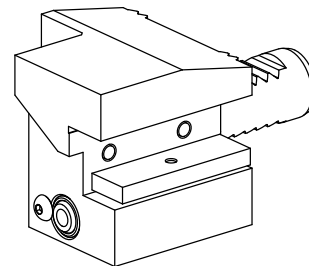


## Turning tool holder VDI 20 square 16x16, Form C2/C3

### Technical data

Shank VDI	VDI 20
Drive	not live
Fixation VDI	W serration
Cooling	external
Pressure	40 bar
Mounting	Square 16x16
reversible 180°	yes
X [mm]	55 (2.17")
Y [mm]	–
Z [mm]	31 (1.22)
INDEX TRAUB products	C100



## Documents

No downloads available for this product

## Accessories

Optional accessories

### Other accessories

#### [Seal](#)

Product ID : 10478680

Previous product ID : W67221.4196

---

#### [Blanking plug D12](#)

Product ID : 10532667

Previous product ID : W00015.0021

---

#### [BALL SPRAY NOZZLE 12D/M6](#)

Product ID : 10602750

Previous product ID : 474550.0101

---

#### [Lens head screw](#)

Product ID : 10344546

Previous product ID : 410243.0406

---