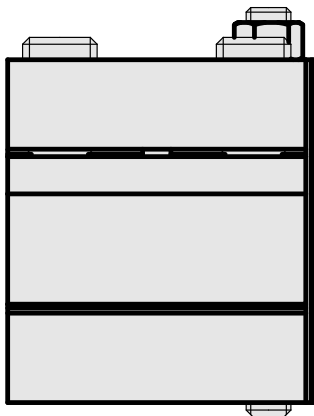
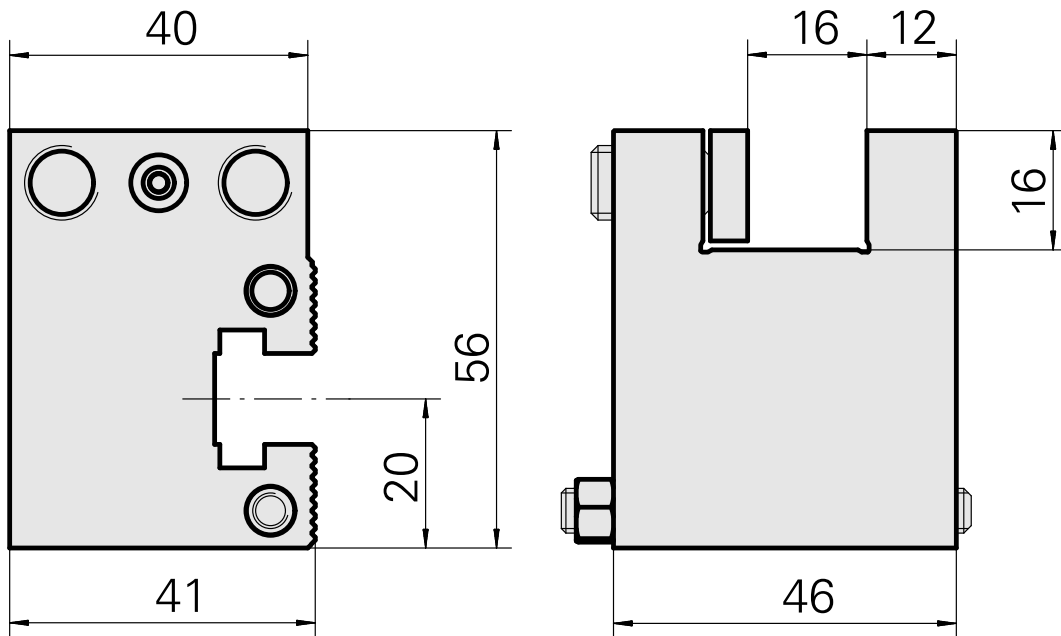
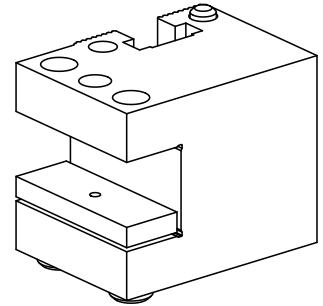


## Grooving tool holding block Square 16x16, vertically adjustable

### Technical data

<b>Drive</b>	not live
<b>Mounting</b>	Square 16x16
<b>X [mm]</b>	40 (1.57")
<b>Y [mm]</b>	-
<b>Z [mm]</b>	40 (1.57)
<b>INDEX TRAUB products</b>	C42/65 • G160 • G300 • ABC • B400 • C100 • C200 • G200 • G200.2 • G220 • G250 • TNX65/42 • TNA400.2 • ABC.2 • G300.2 • G320.2 • B400.3 • TNA400.3 • G320.3 compact



## **Documents**

No downloads available for this product