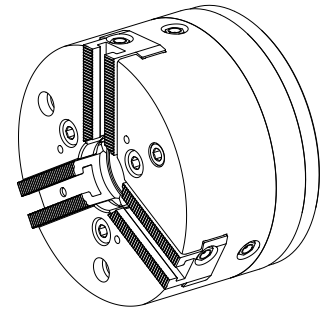


## 3-jaw chuck

### Technical data

<b>INDEX TRAUB products</b>	ABC • G200 • ABC.2
<b>Spindle clearance</b>	37mm
<b>Machining side</b>	Main spindle • Counter spindle
<b>manufacturer product line</b>	KFD-HS140-37
<b>Spindle mounting</b>	KK 5
<b>manufacturer product line</b>	Roehm



No 3-side view is currently available for this product

---

## Documents

No downloads available for this product

## Accessories

### Optional accessories

#### O-Rings

##### [Gasket ring](#)

Product ID : 10633169

Previous product ID : 479105.6702

manufacturer product line Trelleborg	TSS material no.	Cord size 2.5 Millimeter	manufacturer product line O-ring
---	------------------	-----------------------------	-------------------------------------

##### [O-RING 50,47X2,62](#)

Product ID : 10753940

Previous product ID : 479103.0502

manufacturer product line Trelleborg	TSS material no.	Cord size 2.62 Millimeter	manufacturer product line O-ring
---	------------------	------------------------------	-------------------------------------

#### Other accessories

##### [Mounting jaws Typ 543/538 Id.Nr 046544](#)

Product ID : 11051942

Previous product ID : 908127.8711

---

##### [AUFSATZBACKEN WEICH SWBFR131 SCHUNK,FU D=140](#)

Product ID : 10227939

Previous product ID : 908127.8601

---

##### [Adaptor M52x1,5 auf M44x1,5 mm](#)

Product ID : 10900238

Previous product ID : 908127.8141

---

---

[Adaptor](#)

Product ID : 10023686  
Previous product ID : 908127.8121

---

[Spacer M52x1,5 auf M69x1,5](#)

Product ID : 11042473  
Previous product ID : L31132.

---

[Bush 20014438 U/ZG.NR. 11714](#)

Product ID : 10548744  
Previous product ID : L31221.

---

[O-RING 71.12X 2.62](#)

Product ID : 10954290  
Previous product ID : 479103.0712

---

[Boring fixture Standard-Umfang bis Ø250mm](#)

Product ID : 10362531  
Previous product ID : W9991012

---

[Boring fixture Premium-Umfang bis Ø250mm](#)

Product ID : 10422192  
Previous product ID : W9991013

---