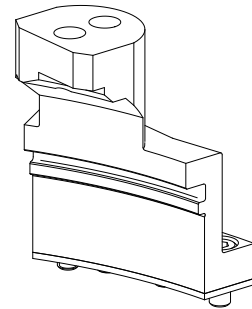

Back end unit MS32/MS40 D12, spindle position 6

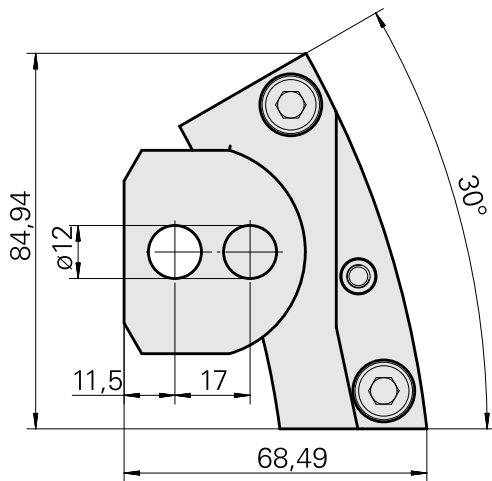
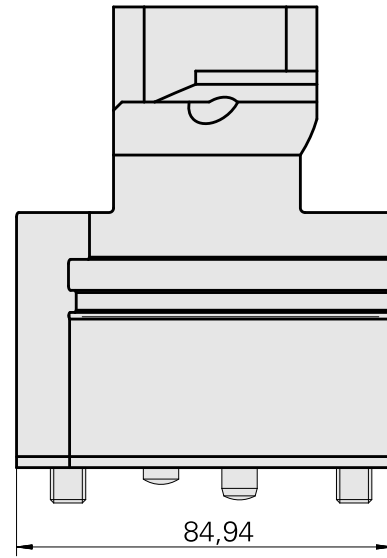
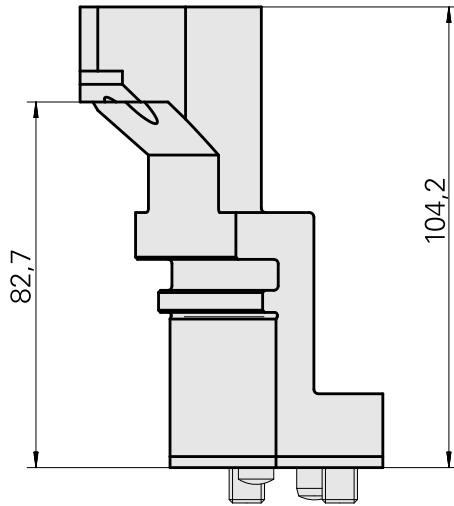
Technical data

Slide system MS	MS32/MS40
Drive	not live
Fixation MS	Splined key/pin
Mounting	D12
X [mm]	104.2 (4.10")
Y [mm]	17.5 (0.69)
Z [mm]	–
INDEX TRAUB products	MS32C • MS32-6.2 • MS40-6 • MS32-6.3



Note

Can be used only in position 6 on the INDEX MS32-6 from machine no. 150832 and on the INDEX MS40-6 from machine no. 200198!



Documents

No downloads available for this product