
Blanking plug HSK 50 B50/D50/C40

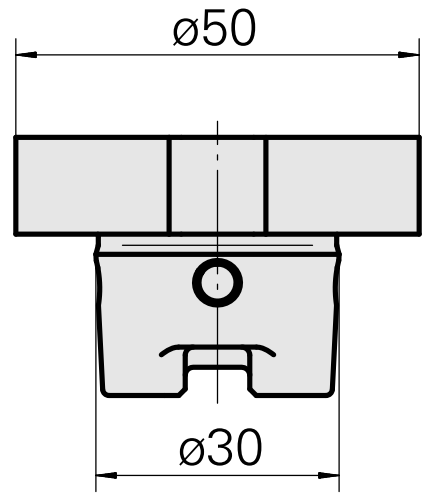
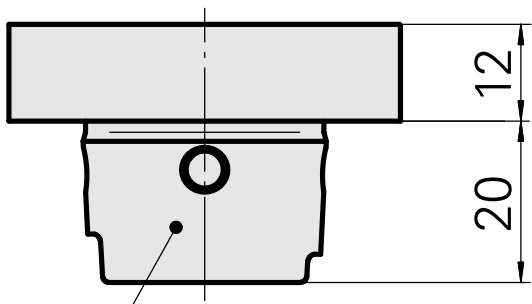
Technical data

Shank HSK	HSK 50
Form HSK	B50/D50/C40
Pressure	40 bar
X [mm]	12 (0.47")
INDEX TRAUB products	G300 • V100 • V200 • G200 • V300

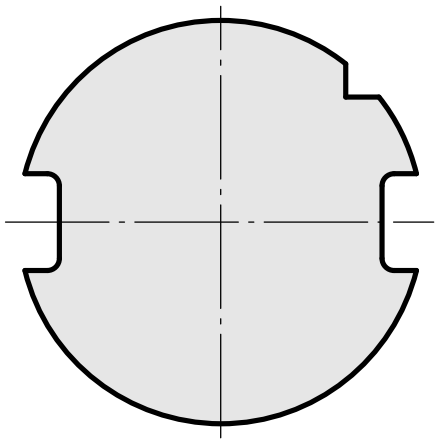


Note

No rotation permitted!



DIN 69893
HSK B50/D50/C40



Documents

No downloads available for this product