

Turning tool holder KPS 45 square 16x16, double

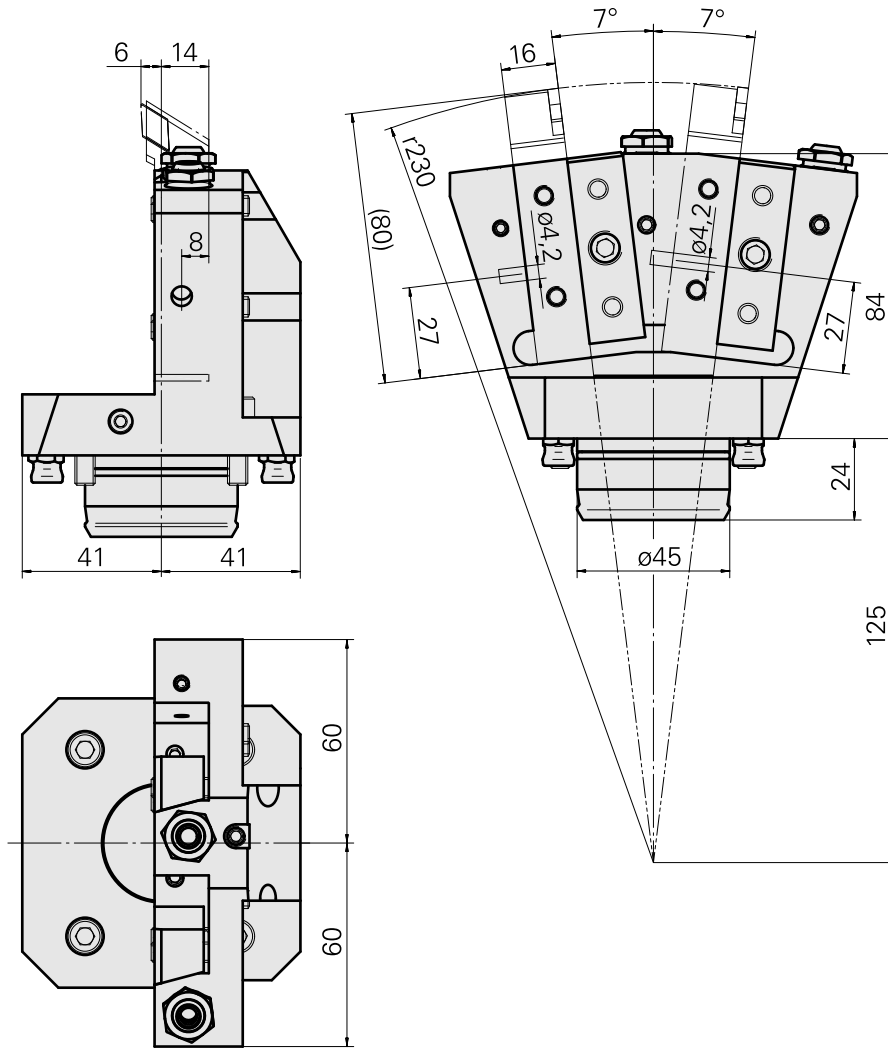
Technical data

Shank KPS	KPS 45
Drive	not live
Cooling	external and internal
Mounting	Square 16x16
Pressure	80 bar
X [mm]	84 (3.31")
Y [mm]	±7°
Z [mm]	-14 (-0.55)
INDEX TRAUB products	TNL32-11 • TNL32



Note

Particularly suitable for use on the rotary axis!



Documents

No downloads available for this product

Accessories

Optional accessories

Tool holder accessories

[Coolant tube, L=100 mm \(3.93"\)](#)

Product ID : 10346684

Previous product ID : W9990559

TH accessories
category
Cooling lubricant tube

Mounting
M6

Other accessories

[Coolant Nozzle](#)

Product ID : 11031912

Previous product ID : W67500.3208

[Nozzle Kugel D10 - Bohrung D2 40°](#)

Product ID : 10072335

Previous product ID : 910693

[BUSHING 10 D x 6 D x 12,5](#)

Product ID : 10670360

Previous product ID : W67530.0824

[HOLLOW SCREW M14x1 M14x1](#)

Product ID : 10105238

Previous product ID : W67530.0818

10980006
W7040114

INDEX

[Nozzle M6 mit D1,6](#)

Product ID : 10147428

Previous product ID : W00019.0216
