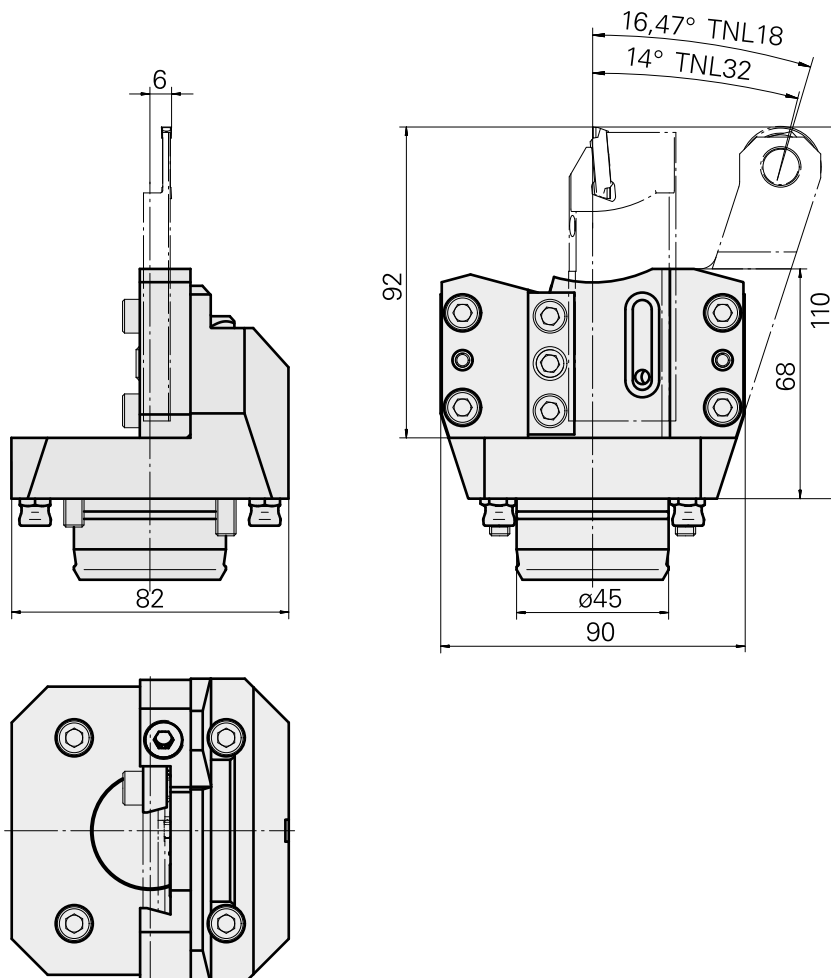
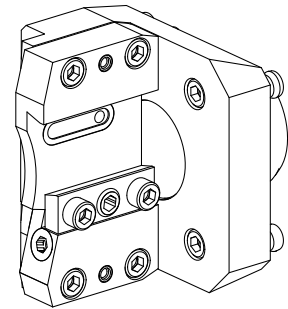


Grooving tool holder KPS 45 Trapezoid 32

Technical data

| | |
|-----------------------------|---|
| Shank KPS | KPS 45 |
| Drive | not live |
| Cooling | internal |
| Mounting | Trapezoid 32x8 |
| Pressure | 80 bar |
| X [mm] | 68 (2.68") |
| Y [mm] | - |
| Z [mm] | -6 (-0.24) |
| INDEX TRAUB products | TNL18 • TNL20 • TNL32-11 • TNL32 • TNL32-11 compact • TNL20-11 • TNL32 compact • TNK40.2-10 • TNK40.2-8 • TNL20.2 |



Documents

No downloads available for this product

Accessories

Optional accessories

O-Rings

[Gasket ring OR 18,77X1,78](#)

Product ID : 10897583

Previous product ID : 316038

| | | | |
|---|------------------|------------------------------|-------------------------------------|
| manufacturer product line Trelleborg | TSS material no. | Cord size 1.78 Millimeter | manufacturer product line O-ring |
|---|------------------|------------------------------|-------------------------------------|

Tool holders with compact shank

[Bar stop, live](#)

Product ID : 10436606

Previous product ID : W9990516

| | |
|-------------------|---|
| Drive not live | INDEX TRAUB products TNL32-11 compact • TNL32 • TNL20-11 • TNL32 compact • TNK40.2-10 • TNL20 • TNL32-10 • TNL32-11 • TNL32-7 • TNL32-7B • TNL32-8 • TNL32-9 • TNL32-9P • TNL32P • TNK40.2-8 • TNL20.2 |
|-------------------|---|

Other accessories

[Bush 4x8x12](#)

Product ID : 10831938

Previous product ID : W02010.0002

[Hollow screw M12x1](#)

Product ID : 10757766

Previous product ID : W02013.0001

10958857
W7040097

INDEX

Nozzle Kugel-D8

Product ID : 10007891
Previous product ID : 904837

Locking screw M12x1

Product ID : 10135400
Previous product ID : 910677
