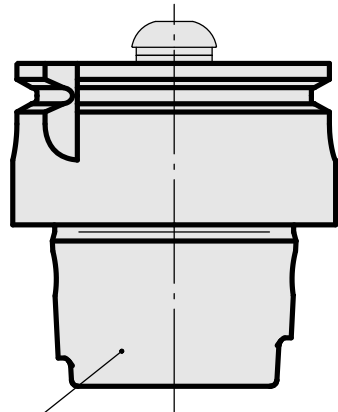
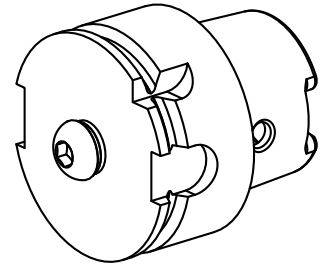


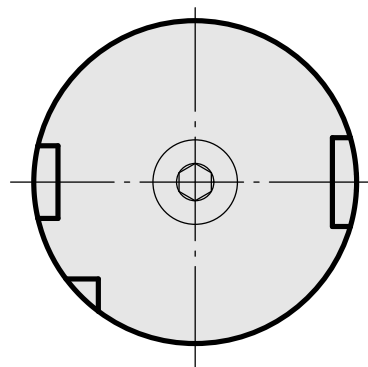
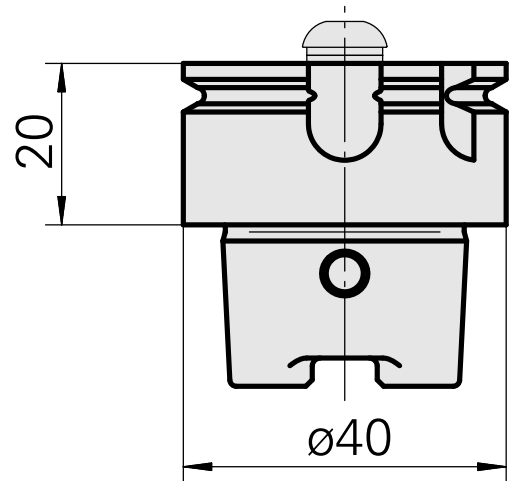
Calibrating tool HSK 40 A, for measuring the clamping stroke

Technical data

Shank HSK	HSK 40
Form HSK	A
X [mm]	20 (0.79")
INDEX TRAUB products	G200.2 • G220 • R200 • G220.3 • TNX220.3



DIN 69893
HSK 40 A



Documents

No downloads available for this product

Accessories

Required for operation

[Socket wrench](#)

Product ID : 10532354

Previous product ID : WS7400.0010

TH accessories
category
Tool for KSS adapter

Mounting
HSK 40 A/C

Optional accessories

Tool holder accessories

[Coolant adapter kit](#)

Product ID : 10581780

Previous product ID : WS7400.0020

TH accessories
category
Cooling lubricant
transfer set

Mounting
HSK 40 A/C