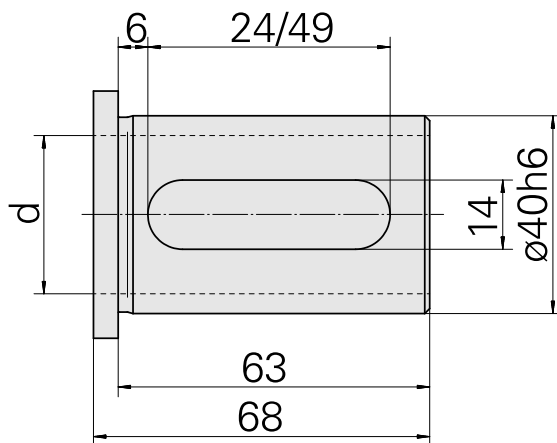


Mounting sleeve with collar D40/ 18mm

Technical data

| | |
|-------------------------|-----------------------------|
| TH accessories category | Mounting sleeve with collar |
| Mounting | D40 |
| Tool mounting | 18mm |



Documents

No downloads available for this product