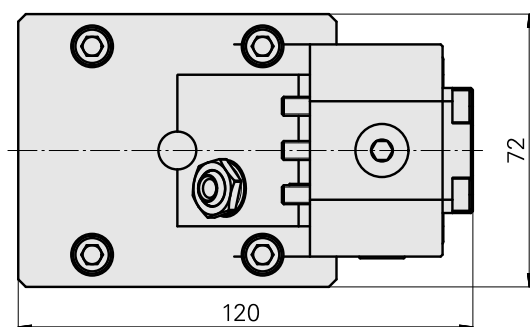
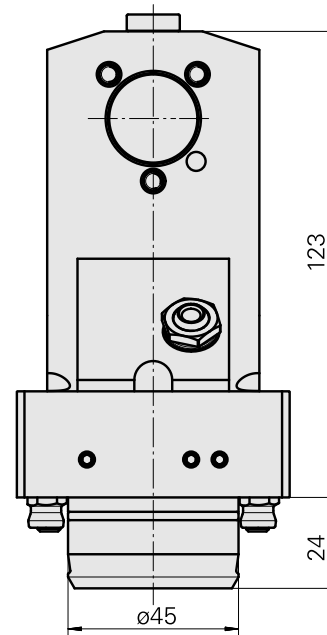
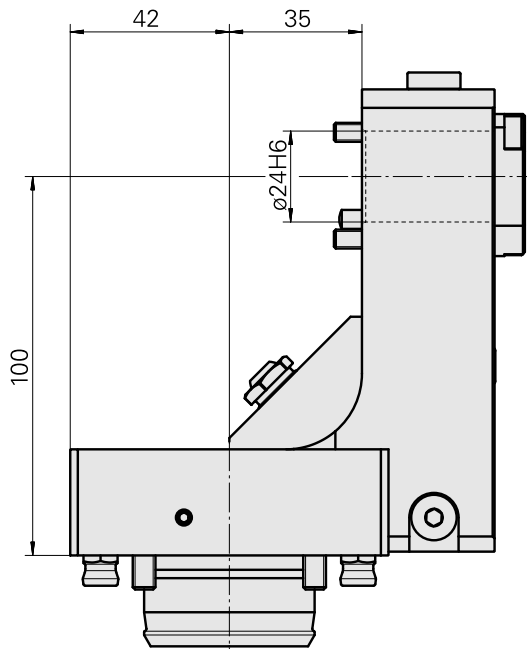
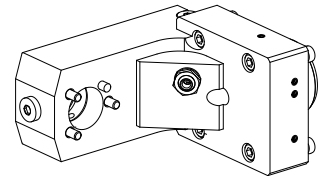


Basic holder KPS 45 D24 (0.94 ")

Technical data

Shank KPS	KPS 45
Drive	not live
Cooling	external and internal
Mounting	D24
Pressure	120 bar
X [mm]	100 (3.94")
Y [mm]	-
Z [mm]	-35 (1.38)
INDEX TRAUB products	TNL32 • TNL32-11



Documents

No downloads available for this product

Accessories

Optional accessories

Other accessories

[Coolant Nozzle](#)

Product ID : 11031912

Previous product ID : W67500.3208

[HOLLOW SCREW M14x1 M14x1](#)

Product ID : 10105238

Previous product ID : W67530.0818

[BUSHING 10 D x 6 D x 12,5](#)

Product ID : 10670360

Previous product ID : W67530.0824
