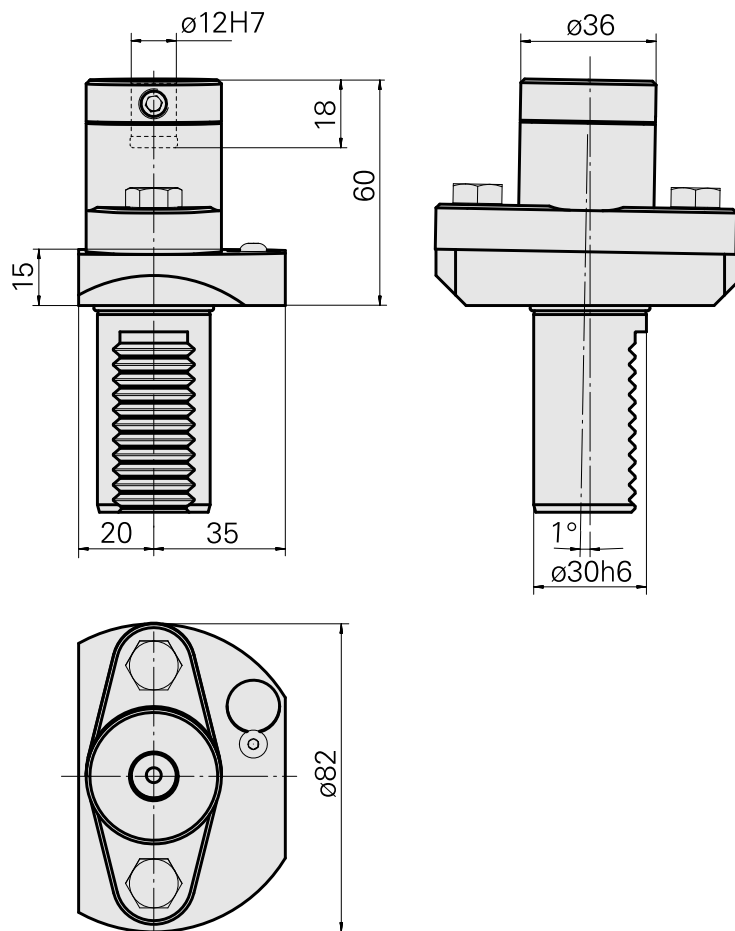
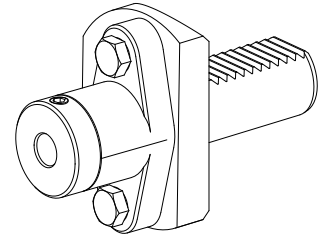


Broachholder VDI 30 D12, rotating, live

Technical data

Shank VDI	VDI 30
Drive	not live
Fixation VDI	none
Cooling	external
Pressure	20 bar
Mounting	D12
reversible 180°	no
Data carrier	check tool station bore
X [mm]	60 (2.36")
Y [mm]	–
Z [mm]	–
INDEX TRAUB products	V100 • V200 • V160C • V160G • V300 • TNA300



Documents

Product notes

[DE \(pdf\)](#)

[EN \(pdf\)](#)

[FR \(pdf\)](#)

Accessories

Optional accessories

Tool holder accessories

[tube, M6x48,45°](#)

Product ID : 10683174

Previous product ID : W63501.2622

TH accessories
category

Cooling lubricant tube

Mounting
M6

Other accessories

[SPRAY NOZZLE 14D/M6](#)

Product ID : 10358770

Previous product ID : 474550.0121

[Lens head screw](#)

Product ID : 10344546

Previous product ID : 410243.0406

[Slotting tool for hexagon socket](#)

Product ID : 10155732

Previous product ID : W37606.-----

[Mandrel](#)

Product ID : 10727998

Previous product ID : W37604.-----

10929722
W1300034

INDEX

Mandrel

Product ID : 12164626
Previous product ID :
