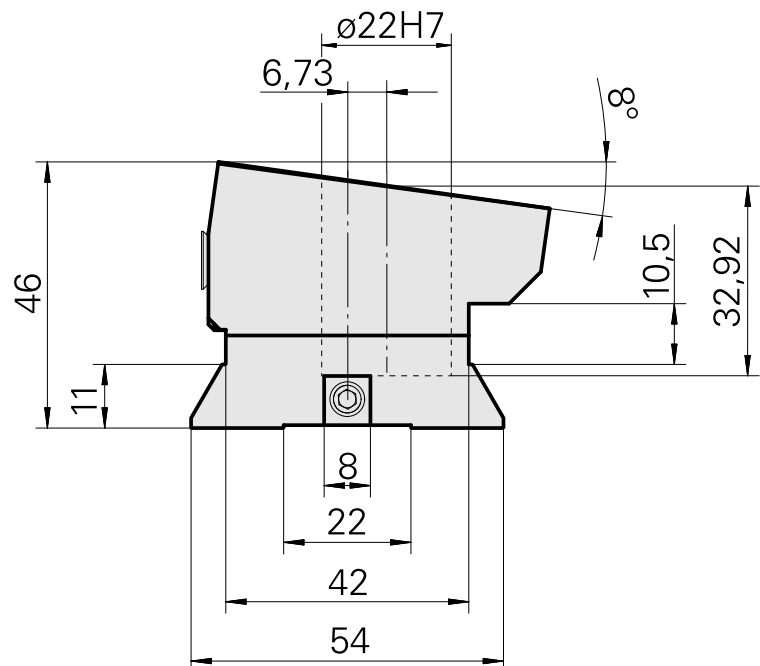
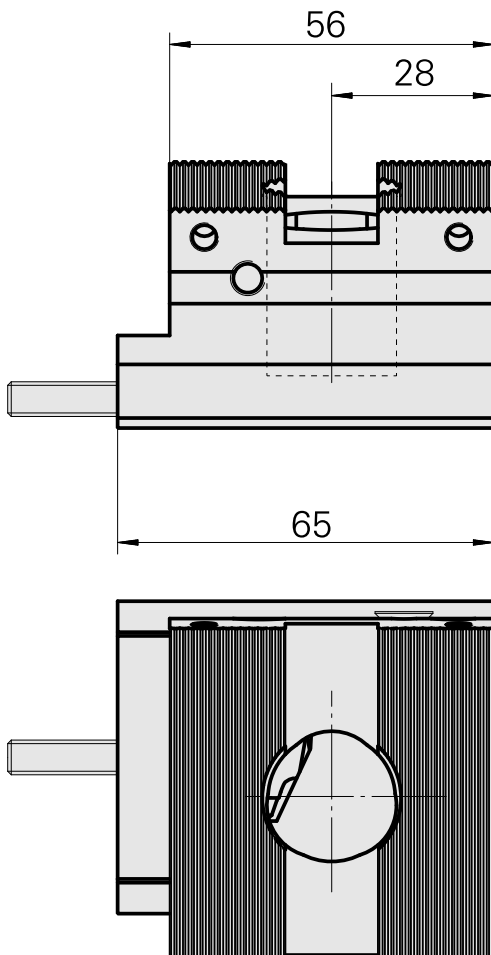
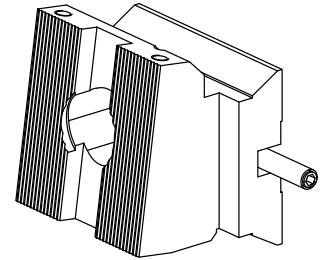


Basic holder Dovetail (ABC), contour plunging tool holder

Technical data

Shank VDI	Dovetail (ABC)
Drive	not live
Fixation VDI	none
Pressure	20 bar
reversible 180°	no
X [mm]	45.5 (1.79")
Y [mm]	-
Z [mm]	9 (0.35)
INDEX TRAUB products	ABC • ABC.2



Documents

No downloads available for this product

Accessories

Optional accessories

Tool holders with VDI shank

[Grooving tool holding block, vertically adjustable](#)

Product ID : 10170595

Previous product ID : W9990244

Drive not live	reversible 180° yes	X [mm] 40 (1.57")	Y [mm] -
Z [mm] -	INDEX TRAUB products ABC • ABC.2		