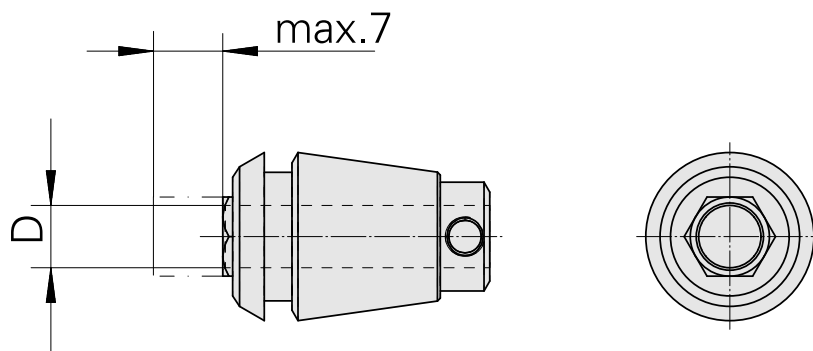
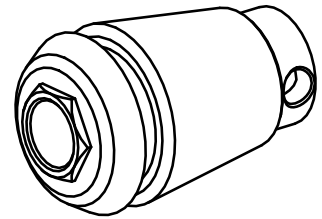


ER-Collet chuck for taps ET 1-16 2.24mm

Technical data

TH accessories category	ER-Collet chuck for taps
Mounting	ER16
Tool mounting	2.24mm
Collet type	ET 1-16



10914525
323008

INDEX

Documents

No downloads available for this product