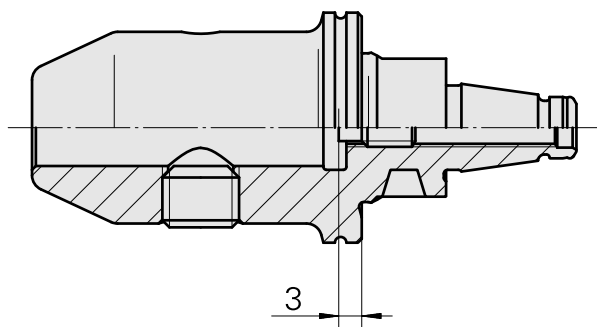
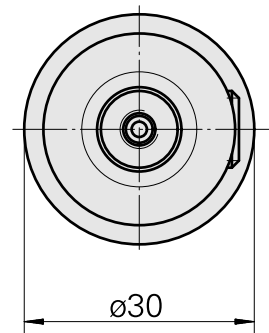
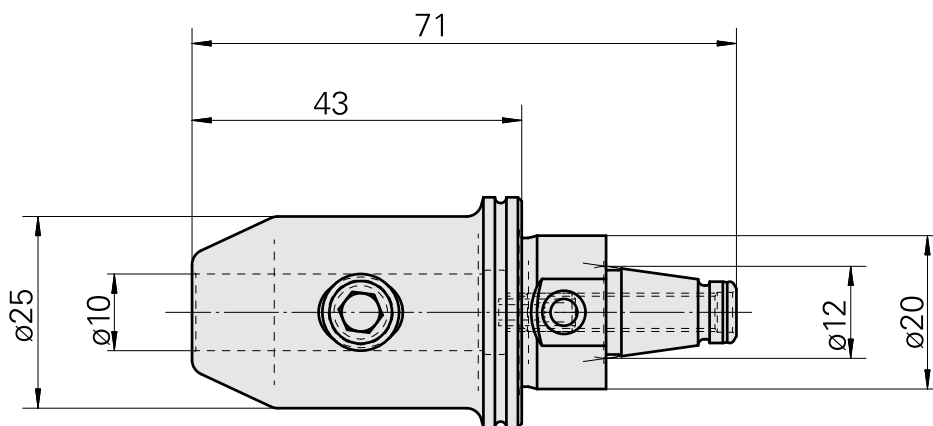
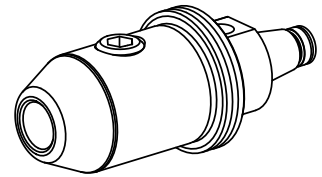


## WFB 20-12 D10

### Technical data

TH accessories category	WFB 20-12
Mounting	D10
Quick change inserts	Weldon mounting



## Documents

No downloads available for this product

## Accessories

Optional accessories

### Other accessories

#### [Adjusting screw M 5x10](#)

Product ID : 10674886

Previous product ID : 326793

---

#### [Clamping screw M10x 8 \(110AWS\)](#)

Product ID : 10398283

Previous product ID : 326791

---