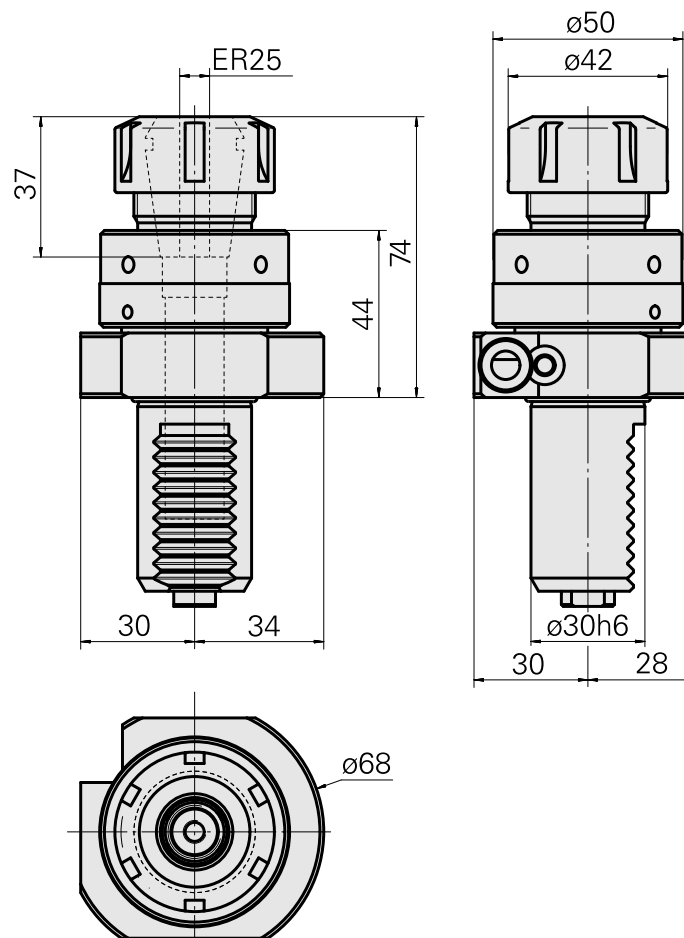
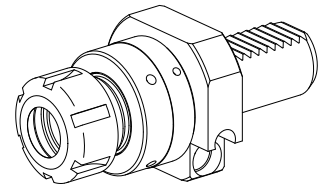


Reaming tool holder VDI 30 ER25, adjustable

Technical data

Shank VDI	VDI 30
Drive	not live
Fixation VDI	none
Cooling	external
Pressure	20 bar
Mounting	ER25
reversible 180°	no
Data carrier	check tool station bore
X [mm]	73.5 (2.89")
Y [mm]	-
Z [mm]	-
INDEX TRAUB products	V100 • V200 • V160C • V160G • V300 • TNA300



Documents

No downloads available for this product

Accessories

Required for operation

[Spanner](#)

Product ID : 10802433

Previous product ID : 490219.0251

TH accessories category Tool	Mounting ER25	Collet type ER 25	Clamping nut type Female thread
Tools for Collet chucks Clamping nut wrench			

Optional accessories

Tool holder accessories

[Clamping nut](#)

Product ID : 10193990

Previous product ID : 901939.0251

TH accessories category Clamping nut	Mounting ER25	Collet type ER 25	Clamping nut type Female thread
---	------------------	----------------------	------------------------------------

Other accessories

[Clamping collet](#)

Product ID : 10206464

Previous product ID : 901930.3---

[Collet chuck](#)

Product ID : 10029756

Previous product ID : W999067-

10894326
W1300031

INDEX

[tapping tool collet ET-1-25](#)

Product ID : 10191234
Previous product ID : 3224--

[tapping tool collet](#)

Product ID : 10256515
Previous product ID : WZ9990.9507F

[Clamping collet, sealed](#)

Product ID : 10698406
Previous product ID : W999085-

[Tube](#)

Product ID : 10676412
Previous product ID : W63211.5112

[Countersunk screw 8.8 Torx M 5x12 14581 M 5x12/T25 verzinkt 402315 12](#)

Product ID : 10607371
Previous product ID : 410362.0512
