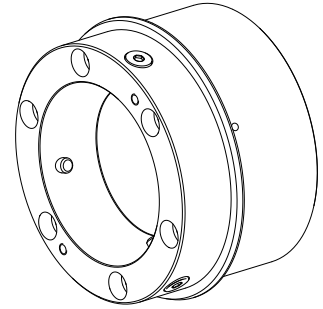


collet insert

Technical data

| | |
|---------------------------------------|---------------------|
| INDEX TRAUB products | MS52-6.3 |
| Spindle clearance | 52mm |
| Machining side | Main spindle |
| Ext. manufact. product feature | Modular |
| manufacturer product line | SPANNTOP nova chuck |
| Spindle mounting | AP133 |
| Clamping device size | SK65 |
| manufacturer product line | Hainbuch |



No 3-side view is currently available for this product

Documents

No downloads available for this product

Accessories

Optional accessories

Other accessories

[Fixture](#)

Product ID : 10614886

Previous product ID : 900465.8201

| | | | |
|------------------------------|---|--------------------------------------|---------------------------------------|
| Clamping device size SK65 | manufacturer product line SPANNTOP nova chuck • SPANNTOP mini chuck | Clamping method External clamping | manufacturer product line Hainbuch |
|------------------------------|---|--------------------------------------|---------------------------------------|

[Fixture](#)

Product ID : 10646742

Previous product ID : 900480.8261

| | | | |
|---------------------------------------|--|----------------------------|--------------------------------------|
| Clamping device size SK65 | manufacturer product line SPANNTOP nova chuck • SPANNTOP mini chuck • TOPlus chuck | Clamping type Pneumatic | Clamping method External clamping |
| manufacturer product line Hainbuch | | | |

[Clamping head SK65 D=5,00mm](#)

Product ID : 10282816

Previous product ID : 900465.0500

| | | | |
|--------------------------------------|--|--------------------------|---------------------------------------|
| Clamping device size SK65 | manufacturer product line SPANNTOP nova chuck | Clamping type grooved | Nominal diameter (mm) 5 Millimeter |
| Clamping method External clamping | manufacturer product line Hainbuch | | |

Clamping head SK65 D=6,00mm

Product ID : 10391389

Previous product ID : 900465.0600

| | | | |
|--------------------------------------|---|--------------------------|--|
| Clamping device size SK65 | manufacturer product line SPANNTOP nova chuck | Clamping type grooved | Nominal diameter (mm) 6 Millimeter |
| Clamping method External clamping | manufacturer product line Hainbuch | | |

Clamping head SK65 D=7,00mm

Product ID : 10335417

Previous product ID : 900465.0700

| | | | |
|--------------------------------------|---|--------------------------|--|
| Clamping device size SK65 | manufacturer product line SPANNTOP nova chuck | Clamping type grooved | Nominal diameter (mm) 7 Millimeter |
| Clamping method External clamping | manufacturer product line Hainbuch | | |

Clamping head SK65 D=8,00mm

Product ID : 10147578

Previous product ID : 900465.0800

| | | | |
|--------------------------------------|---|--------------------------|--|
| Clamping device size SK65 | manufacturer product line SPANNTOP nova chuck | Clamping type grooved | Nominal diameter (mm) 8 Millimeter |
| Clamping method External clamping | manufacturer product line Hainbuch | | |

Clamping head SK65 D=9,00mm

Product ID : 10535985

Previous product ID : 900465.0900

| | | | |
|--------------------------------------|---|--------------------------|--|
| Clamping device size SK65 | manufacturer product line SPANNTOP nova chuck | Clamping type grooved | Nominal diameter (mm) 9 Millimeter |
| Clamping method External clamping | manufacturer product line Hainbuch | | |

Clamping head SK65 D=10,00mm

Product ID : 10482936

Previous product ID : 900465.1000

| | | | |
|--------------------------------------|---|--------------------------|---|
| Clamping device size SK65 | manufacturer product line SPANNTOP nova chuck | Clamping type grooved | Nominal diameter (mm) 10 Millimeter |
| Clamping method External clamping | manufacturer product line Hainbuch | | |

Clamping head SK65 D=11,00mm

Product ID : 10482288

Previous product ID : 900465.1100

| | | | |
|--------------------------------------|---|--------------------------|---|
| Clamping device size SK65 | manufacturer product line SPANNTOP nova chuck | Clamping type grooved | Nominal diameter (mm) 11 Millimeter |
| Clamping method External clamping | manufacturer product line Hainbuch | | |

Clamping head SK65 D=12,00mm

Product ID : 11050855

Previous product ID : 900465.1200

| | | | |
|--------------------------------------|---|--------------------------|---|
| Clamping device size SK65 | manufacturer product line SPANNTOP nova chuck | Clamping type grooved | Nominal diameter (mm) 12 Millimeter |
| Clamping method External clamping | manufacturer product line Hainbuch | | |

Clamping head SK65 D=13,00mm

Product ID : 10464997

Previous product ID : 900465.1300

| | | | |
|--------------------------------------|---|--------------------------|---|
| Clamping device size SK65 | manufacturer product line SPANNTOP nova chuck | Clamping type grooved | Nominal diameter (mm) 13 Millimeter |
| Clamping method External clamping | manufacturer product line Hainbuch | | |

Clamping head SK65 D=14,00mm

Product ID : 10930602

Previous product ID : 900465.1400

| | | | |
|---|--|---------------------------------|--|
| Clamping device size SK65 | manufacturer product line SPANNTOP nova chuck | Clamping type grooved | Nominal diameter (mm) 14 Millimeter |
| Clamping method External clamping | manufacturer product line Hainbuch | | |

Clamping head SK65 D=15,00mm

Product ID : 10174520

Previous product ID : 900465.1500

| | | | |
|---|--|---------------------------------|--|
| Clamping device size SK65 | manufacturer product line SPANNTOP nova chuck | Clamping type grooved | Nominal diameter (mm) 15 Millimeter |
| Clamping method External clamping | manufacturer product line Hainbuch | | |

Clamping head SK65 D=16,00mm

Product ID : 10630545

Previous product ID : 900465.1600

| | | | |
|---|--|---------------------------------|--|
| Clamping device size SK65 | manufacturer product line SPANNTOP nova chuck | Clamping type grooved | Nominal diameter (mm) 16 Millimeter |
| Clamping method External clamping | manufacturer product line Hainbuch | | |

Clamping head SK65 D=17,00mm

Product ID : 10691868

Previous product ID : 900465.1700

| | | | |
|---|--|---------------------------------|--|
| Clamping device size SK65 | manufacturer product line SPANNTOP nova chuck | Clamping type grooved | Nominal diameter (mm) 17 Millimeter |
| Clamping method External clamping | manufacturer product line Hainbuch | | |

Clamping head SK65 D=18,00mm

Product ID : 10303296

Previous product ID : 900465.1800

| | | | |
|--------------------------------------|---|--------------------------|---|
| Clamping device size SK65 | manufacturer product line SPANNTOP nova chuck | Clamping type grooved | Nominal diameter (mm) 18 Millimeter |
| Clamping method External clamping | manufacturer product line Hainbuch | | |

Clamping head SK65 D=19,00mm

Product ID : 10393834

Previous product ID : 900465.1900

| | | | |
|--------------------------------------|---|--------------------------|---|
| Clamping device size SK65 | manufacturer product line SPANNTOP nova chuck | Clamping type grooved | Nominal diameter (mm) 19 Millimeter |
| Clamping method External clamping | manufacturer product line Hainbuch | | |

Clamping head SK65 D=20,00mm

Product ID : 10554430

Previous product ID : 900465.2000

| | | | |
|--------------------------------------|---|--------------------------|---|
| Clamping device size SK65 | manufacturer product line SPANNTOP nova chuck | Clamping type grooved | Nominal diameter (mm) 20 Millimeter |
| Clamping method External clamping | manufacturer product line Hainbuch | | |

Clamping head SK65 D=21,00mm

Product ID : 10554471

Previous product ID : 900465.2100

| | | | |
|--------------------------------------|---|--------------------------|---|
| Clamping device size SK65 | manufacturer product line SPANNTOP nova chuck | Clamping type grooved | Nominal diameter (mm) 21 Millimeter |
| Clamping method External clamping | manufacturer product line Hainbuch | | |

Clamping head SK65 D=22,00mm

Product ID : 10381560

Previous product ID : 900465.2200

| | | | |
|--------------------------------------|---|--------------------------|---|
| Clamping device size SK65 | manufacturer product line SPANNTOP nova chuck | Clamping type grooved | Nominal diameter (mm) 22 Millimeter |
| Clamping method External clamping | manufacturer product line Hainbuch | | |

Clamping head SK65 D=23,00mm

Product ID : 10741026

Previous product ID : 900465.2300

| | | | |
|--------------------------------------|---|--------------------------|---|
| Clamping device size SK65 | manufacturer product line SPANNTOP nova chuck | Clamping type grooved | Nominal diameter (mm) 23 Millimeter |
| Clamping method External clamping | manufacturer product line Hainbuch | | |

Clamping head SK65 D=24,00mm

Product ID : 10229489

Previous product ID : 900465.2400

| | | | |
|--------------------------------------|---|--------------------------|---|
| Clamping device size SK65 | manufacturer product line SPANNTOP nova chuck | Clamping type grooved | Nominal diameter (mm) 24 Millimeter |
| Clamping method External clamping | manufacturer product line Hainbuch | | |

Clamping head SK65 D=25,00mm

Product ID : 10806555

Previous product ID : 900465.2500

| | | | |
|--------------------------------------|---|--------------------------|---|
| Clamping device size SK65 | manufacturer product line SPANNTOP nova chuck | Clamping type grooved | Nominal diameter (mm) 25 Millimeter |
| Clamping method External clamping | manufacturer product line Hainbuch | | |

Clamping head SK65 D=26,00mm

Product ID : 10991722

Previous product ID : 900465.2600

| | | | |
|--------------------------------------|---|--------------------------|---|
| Clamping device size SK65 | manufacturer product line SPANNTOP nova chuck | Clamping type grooved | Nominal diameter (mm) 26 Millimeter |
| Clamping method External clamping | manufacturer product line Hainbuch | | |

Clamping head SK65 D=27,00mm

Product ID : 10756684

Previous product ID : 900465.2700

| | | | |
|--------------------------------------|---|--------------------------|---|
| Clamping device size SK65 | manufacturer product line SPANNTOP nova chuck | Clamping type grooved | Nominal diameter (mm) 27 Millimeter |
| Clamping method External clamping | manufacturer product line Hainbuch | | |

Clamping head SK65 D=28,00mm

Product ID : 10342545

Previous product ID : 900465.2800

| | | | |
|--------------------------------------|---|--------------------------|---|
| Clamping device size SK65 | manufacturer product line SPANNTOP nova chuck | Clamping type grooved | Nominal diameter (mm) 28 Millimeter |
| Clamping method External clamping | manufacturer product line Hainbuch | | |

Clamping head SK65 D=29,00mm

Product ID : 10385913

Previous product ID : 900465.2900

| | | | |
|--------------------------------------|---|--------------------------|---|
| Clamping device size SK65 | manufacturer product line SPANNTOP nova chuck | Clamping type grooved | Nominal diameter (mm) 29 Millimeter |
| Clamping method External clamping | manufacturer product line Hainbuch | | |

Clamping head SK65 D=30,00mm

Product ID : 10642391

Previous product ID : 900465.3000

| | | | |
|--------------------------------------|---|--------------------------|---|
| Clamping device size SK65 | manufacturer product line SPANNTOP nova chuck | Clamping type grooved | Nominal diameter (mm) 30 Millimeter |
| Clamping method External clamping | manufacturer product line Hainbuch | | |

Clamping head SK65 D=31,00mm

Product ID : 10479992

Previous product ID : 900465.3100

| | | | |
|--------------------------------------|---|--------------------------|---|
| Clamping device size SK65 | manufacturer product line SPANNTOP nova chuck | Clamping type grooved | Nominal diameter (mm) 31 Millimeter |
| Clamping method External clamping | manufacturer product line Hainbuch | | |

Clamping head SK65 D=32,00mm

Product ID : 10050145

Previous product ID : 900465.3200

| | | | |
|--------------------------------------|---|--------------------------|---|
| Clamping device size SK65 | manufacturer product line SPANNTOP nova chuck | Clamping type grooved | Nominal diameter (mm) 32 Millimeter |
| Clamping method External clamping | manufacturer product line Hainbuch | | |

Clamping head SK65 D=33,00mm

Product ID : 10881990

Previous product ID : 900465.3300

| | | | |
|--------------------------------------|---|--------------------------|---|
| Clamping device size SK65 | manufacturer product line SPANNTOP nova chuck | Clamping type grooved | Nominal diameter (mm) 33 Millimeter |
| Clamping method External clamping | manufacturer product line Hainbuch | | |

Clamping head SK65 D=34,00mm

Product ID : 10788415

Previous product ID : 900465.3400

| | | | |
|--------------------------------------|---|--------------------------|---|
| Clamping device size SK65 | manufacturer product line SPANNTOP nova chuck | Clamping type grooved | Nominal diameter (mm) 34 Millimeter |
| Clamping method External clamping | manufacturer product line Hainbuch | | |

Clamping head SK65 D=35,00mm

Product ID : 10071696

Previous product ID : 900465.3500

| | | | |
|--------------------------------------|---|--------------------------|---|
| Clamping device size SK65 | manufacturer product line SPANNTOP nova chuck | Clamping type grooved | Nominal diameter (mm) 35 Millimeter |
| Clamping method External clamping | manufacturer product line Hainbuch | | |

Clamping head SK65 D=36,00mm

Product ID : 10518620

Previous product ID : 900465.3600

| | | | |
|--------------------------------------|---|--------------------------|---|
| Clamping device size SK65 | manufacturer product line SPANNTOP nova chuck | Clamping type grooved | Nominal diameter (mm) 36 Millimeter |
| Clamping method External clamping | manufacturer product line Hainbuch | | |

Clamping head SK65 D=37,00mm

Product ID : 10813265

Previous product ID : 900465.3700

| | | | |
|--------------------------------------|---|--------------------------|---|
| Clamping device size SK65 | manufacturer product line SPANNTOP nova chuck | Clamping type grooved | Nominal diameter (mm) 37 Millimeter |
| Clamping method External clamping | manufacturer product line Hainbuch | | |

Clamping head SK65 D=38,00mm

Product ID : 11041276

Previous product ID : 900465.3800

| | | | |
|--------------------------------------|---|--------------------------|---|
| Clamping device size SK65 | manufacturer product line SPANNTOP nova chuck | Clamping type grooved | Nominal diameter (mm) 38 Millimeter |
| Clamping method External clamping | manufacturer product line Hainbuch | | |

Clamping head SK65 D=39,00mm

Product ID : 11017041

Previous product ID : 900465.3900

| | | | |
|--------------------------------------|---|--------------------------|---|
| Clamping device size SK65 | manufacturer product line SPANNTOP nova chuck | Clamping type grooved | Nominal diameter (mm) 39 Millimeter |
| Clamping method External clamping | manufacturer product line Hainbuch | | |

Clamping head SK65 D=40,00mm

Product ID : 10827589

Previous product ID : 900465.4000

| | | | |
|--------------------------------------|---|--------------------------|---|
| Clamping device size SK65 | manufacturer product line SPANNTOP nova chuck | Clamping type grooved | Nominal diameter (mm) 40 Millimeter |
| Clamping method External clamping | manufacturer product line Hainbuch | | |

Clamping head SK65 D=41,00mm

Product ID : 10487283

Previous product ID : 900465.4100

| | | | |
|--------------------------------------|---|--------------------------|---|
| Clamping device size SK65 | manufacturer product line SPANNTOP nova chuck | Clamping type grooved | Nominal diameter (mm) 41 Millimeter |
| Clamping method External clamping | manufacturer product line Hainbuch | | |

Clamping head SK65 D=42,00mm

Product ID : 10948181

Previous product ID : 900465.4200

| | | | |
|--------------------------------------|---|--------------------------|---|
| Clamping device size SK65 | manufacturer product line SPANNTOP nova chuck | Clamping type grooved | Nominal diameter (mm) 42 Millimeter |
| Clamping method External clamping | manufacturer product line Hainbuch | | |

Clamping head SK65 D=43,00mm

Product ID : 10185590

Previous product ID : 900465.4300

| | | | |
|--------------------------------------|---|--------------------------|---|
| Clamping device size SK65 | manufacturer product line SPANNTOP nova chuck | Clamping type grooved | Nominal diameter (mm) 43 Millimeter |
| Clamping method External clamping | manufacturer product line Hainbuch | | |

Clamping head SK65 D=44,00mm

Product ID : 10364976

Previous product ID : 900465.4400

| | | | |
|--------------------------------------|---|--------------------------|---|
| Clamping device size SK65 | manufacturer product line SPANNTOP nova chuck | Clamping type grooved | Nominal diameter (mm) 44 Millimeter |
| Clamping method External clamping | manufacturer product line Hainbuch | | |

Clamping head SK65 D=45,00mm

Product ID : 10323021

Previous product ID : 900465.4500

| | | | |
|--------------------------------------|---|--------------------------|---|
| Clamping device size SK65 | manufacturer product line SPANNTOP nova chuck | Clamping type grooved | Nominal diameter (mm) 45 Millimeter |
| Clamping method External clamping | manufacturer product line Hainbuch | | |

Clamping head SK65 D=46,00mm

Product ID : 10702916

Previous product ID : 900465.4600

| | | | |
|--------------------------------------|---|--------------------------|---|
| Clamping device size SK65 | manufacturer product line SPANNTOP nova chuck | Clamping type grooved | Nominal diameter (mm) 46 Millimeter |
| Clamping method External clamping | manufacturer product line Hainbuch | | |

Clamping head SK65 D=47,00mm

Product ID : 10596424

Previous product ID : 900465.4700

| | | | |
|--------------------------------------|---|--------------------------|---|
| Clamping device size SK65 | manufacturer product line SPANNTOP nova chuck | Clamping type grooved | Nominal diameter (mm) 47 Millimeter |
| Clamping method External clamping | manufacturer product line Hainbuch | | |

Clamping head SK65 D=48,00mm

Product ID : 10701027

Previous product ID : 900465.4800

| | | | |
|--------------------------------------|---|--------------------------|---|
| Clamping device size SK65 | manufacturer product line SPANNTOP nova chuck | Clamping type grooved | Nominal diameter (mm) 48 Millimeter |
| Clamping method External clamping | manufacturer product line Hainbuch | | |

Clamping head SK65 D=49,00mm

Product ID : 10700083

Previous product ID : 900465.4900

| | | | |
|--------------------------------------|---|--------------------------|---|
| Clamping device size SK65 | manufacturer product line SPANNTOP nova chuck | Clamping type grooved | Nominal diameter (mm) 49 Millimeter |
| Clamping method External clamping | manufacturer product line Hainbuch | | |

Clamping head SK65 D=50,00mm

Product ID : 10430168

Previous product ID : 900465.5000

| | | | |
|--------------------------------------|---|--------------------------|---|
| Clamping device size SK65 | manufacturer product line SPANNTOP nova chuck | Clamping type grooved | Nominal diameter (mm) 50 Millimeter |
| Clamping method External clamping | manufacturer product line Hainbuch | | |

Clamping head SK65 D=51,00mm

Product ID : 11007896

Previous product ID : 900465.5100

| | | | |
|--------------------------------------|---|--------------------------|---|
| Clamping device size SK65 | manufacturer product line SPANNTOP nova chuck | Clamping type grooved | Nominal diameter (mm) 51 Millimeter |
| Clamping method External clamping | manufacturer product line Hainbuch | | |

Clamping head SK65 D=52,00mm

Product ID : 10117777

Previous product ID : 900465.5200

| | | | |
|--------------------------------------|---|--------------------------|---|
| Clamping device size SK65 | manufacturer product line SPANNTOP nova chuck | Clamping type grooved | Nominal diameter (mm) 52 Millimeter |
| Clamping method External clamping | manufacturer product line Hainbuch | | |

HAINBUCH Clamping elements

Clamping head

Product ID : 10471355

Previous product ID : 900465.1850

| | | | |
|--------------------------------------|---|--------------------------|---|
| Clamping device size SK65 | manufacturer product line SPANNTOP nova chuck | Clamping type grooved | Nominal diameter (mm) 18.5 Millimeter |
| Clamping method External clamping | manufacturer product line Hainbuch | | |

Other accessories

Base element

Product ID : 10489742

Previous product ID : 900452.8001

Socket head screw

Product ID : 11051534

Previous product ID : 410260.0885
