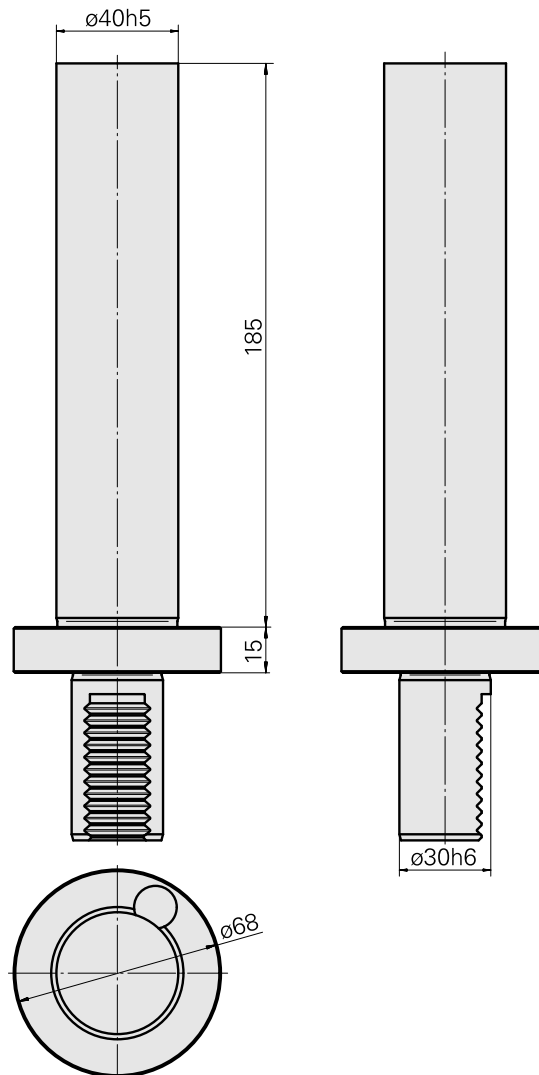
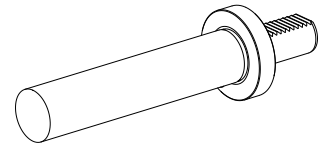


Calibrating tool VDI 30 D40 (1.57")

Technical data

| | |
|----------------------|------------------------------------|
| Shank VDI | VDI 30 |
| Drive | not live |
| Fixation VDI | none |
| Mounting | D40 |
| reversible 180° | no |
| X [mm] | 200 (7.87") |
| Y [mm] | - |
| Z [mm] | - |
| INDEX TRAUB products | V100 • V200 • V160C • V160G • V300 |



Documents

No downloads available for this product