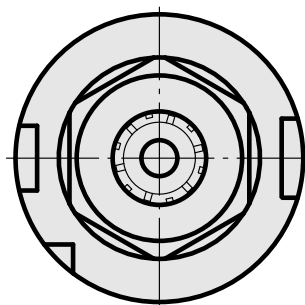
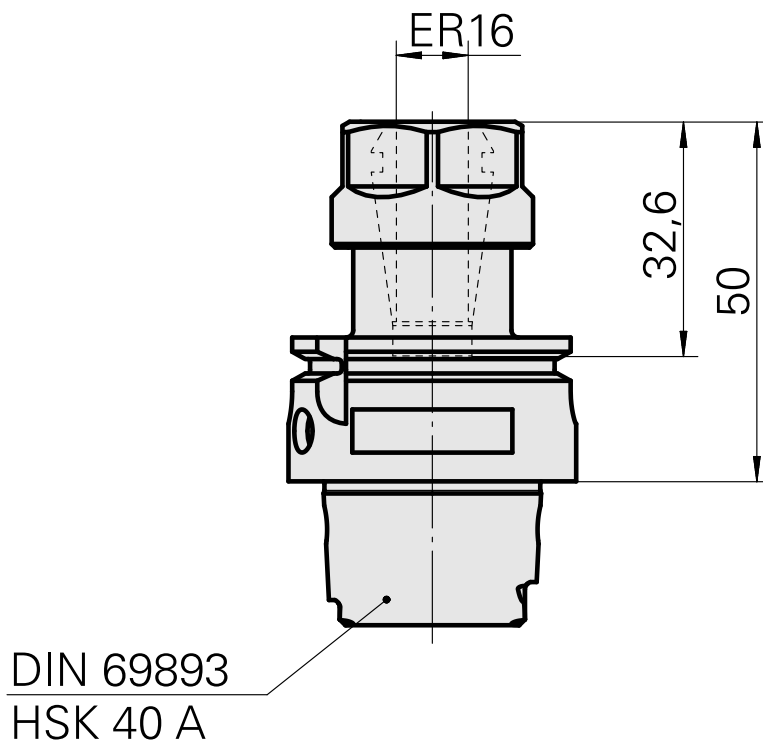
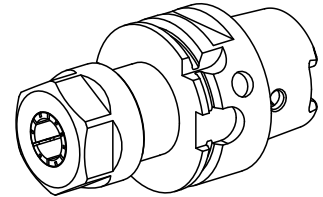


Drilling tool holder HSK 40 A ER16

Technical data

Shank HSK	HSK 40
Form HSK	A
Mounting	ER16
Cooling	internal
Pressure	80 bar
X [mm]	50 (1.97")
INDEX TRAUB products	G160 • G200.2 • G220 • R200 • TNX65/42 • G220.3 • TNX220.3



Documents

No downloads available for this product

Accessories

Required for operation

[Spanner](#)

Product ID : 10966369

Previous product ID : 490219.0161

TH accessories category Tool	Mounting ER16	Collet type ER 16	Clamping nut type Female thread
Tools for Collet chucks Clamping nut wrench			

[Socket wrench](#)

Product ID : 10532354

Previous product ID : WS7400.0010

TH accessories category Tool for KSS adapter	Mounting HSK 40 A/C
---	------------------------

Optional accessories

Tool holder accessories

[Clamping nut](#)

Product ID : 10378189

Previous product ID : 901939.01

TH accessories category Clamping nut	Mounting ER16	Collet type ER 16	Clamping nut type Female thread
---	------------------	----------------------	------------------------------------

[Coolant adapter kit](#)

Product ID : 10581780

Previous product ID : WS7400.0020

TH accessories
category
Cooling lubricant
transfer set

Mounting
HSK 40 A/C

[Coolant supply, max. 120 bar](#)

Product ID : 12024083

Previous product ID :

TH accessories
category
Cooling lubricant
transfer set

Mounting
HSK 40 A/C

Other accessories

[Clamping collet](#)

Product ID : 10834596

Previous product ID : 901930.1---

[Clamping collet, sealed](#)

Product ID : 10433061

Previous product ID : W999083-

[tapping tool collet ET-1-16](#)

Product ID : 10542491

Previous product ID : 3230--

[tapping tool collet](#)

Product ID : 10865233

Previous product ID : WZ9990.9506F

[Collet chuck](#)

Product ID : 10870393

Previous product ID : W999065-