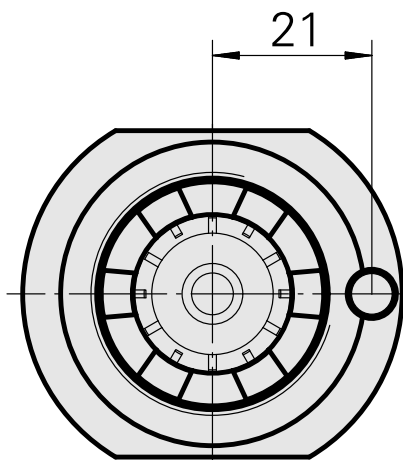
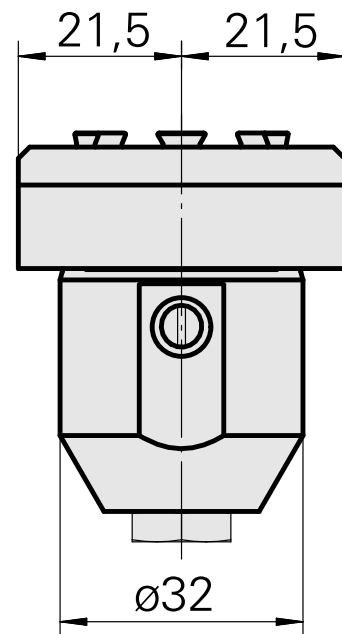
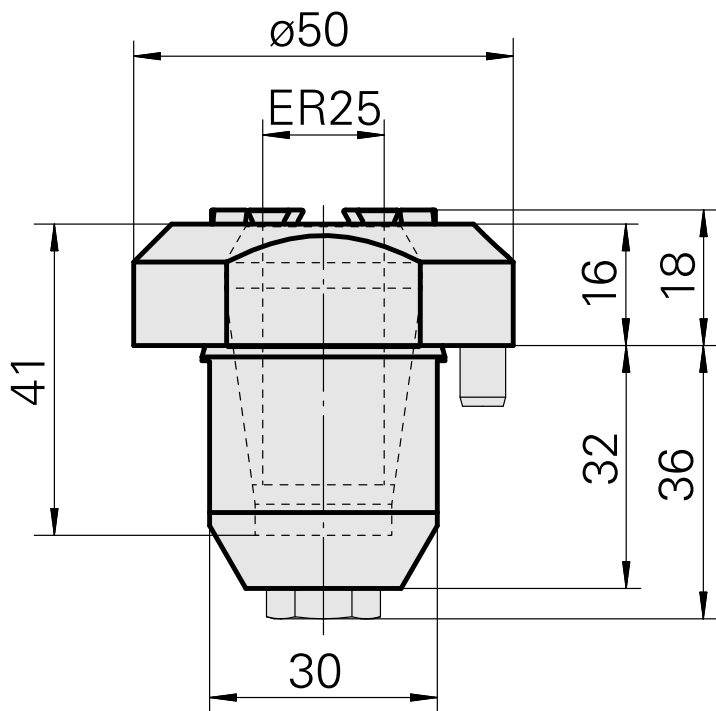
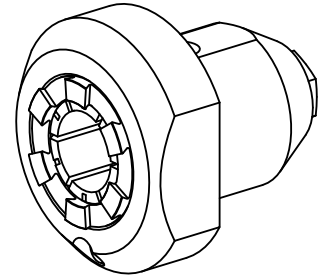


## Drill holding block ER25

### Technical data

Drive	not live
Fixation MS	Shank D32
Mounting	ER25
X [mm]	16 (0.63")
Y [mm]	-
Z [mm]	-
INDEX TRAUB products	MS52C • MS52-6.3



---

## Documents

No downloads available for this product

## Accessories

Required for operation

### [Spanner](#)

Product ID : 10179444

Previous product ID : 490219.3251

TH accessories category Tool	Mounting ER25	Collet type ER 25	Clamping nut type Male thread
Tools for Collet chucks Clamping nut wrench			

## Optional accessories

### Tool holder accessories

#### [Clamping nut](#)

Product ID : 10630063

Previous product ID : 901939.5251

TH accessories category Clamping nut	Mounting ER25	Collet type ER 25	Clamping nut type Male thread
---	------------------	----------------------	----------------------------------

### Other accessories

#### [Clamping collet](#)

Product ID : 10206464

Previous product ID : 901930.3---

---

#### [tapping tool collet ET-1-25](#)

Product ID : 10191234

Previous product ID : 3224--

---

10844136  
W9990297

**INDEX**

---

[tapping tool collet](#)

Product ID : 10256515  
Previous product ID : WZ9990.9507F

---

[Collet chuck](#)

Product ID : 10029756  
Previous product ID : W999067-

---

[Clamping collet, sealed](#)

Product ID : 10698406  
Previous product ID : W999085-

---