

INDEX CAPTO C3 D16

Technical data

TH accessories category

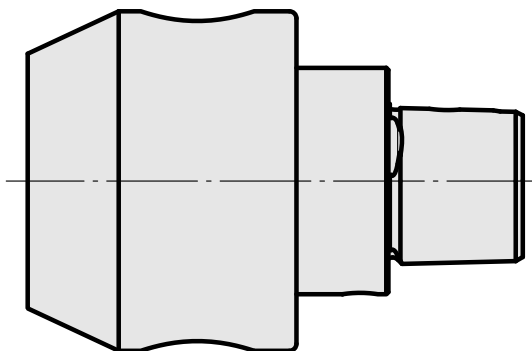
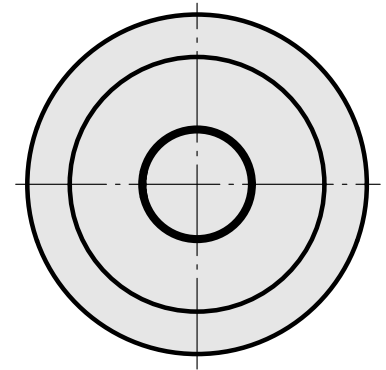
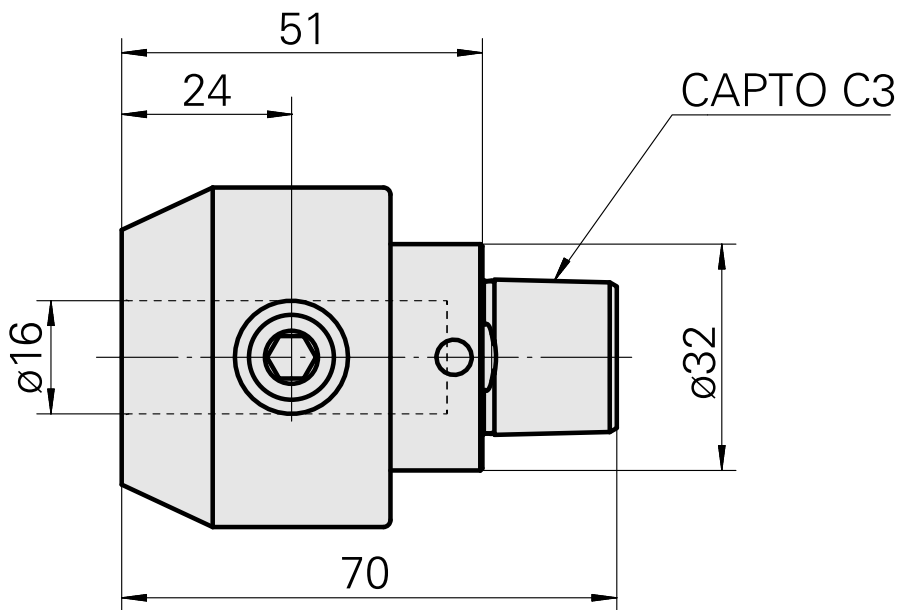
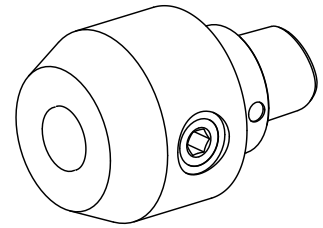
INDEX CAPTO C3

Mounting

D16

Quick change inserts

Weldon mounting



Documents

No downloads available for this product

Accessories

Optional accessories

Other accessories

[Mounting sleeve with collar D16](#)

Product ID : 10914323

Previous product ID : W67511.04--

[Clamping sleeve D16](#)

Product ID : 10981161

Previous product ID : W95280.215-
