

Mount TNL32/TNK42

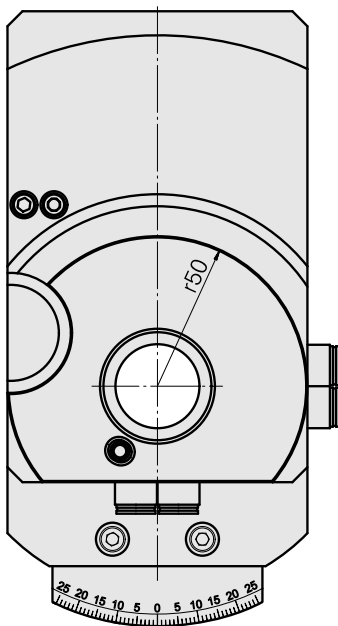
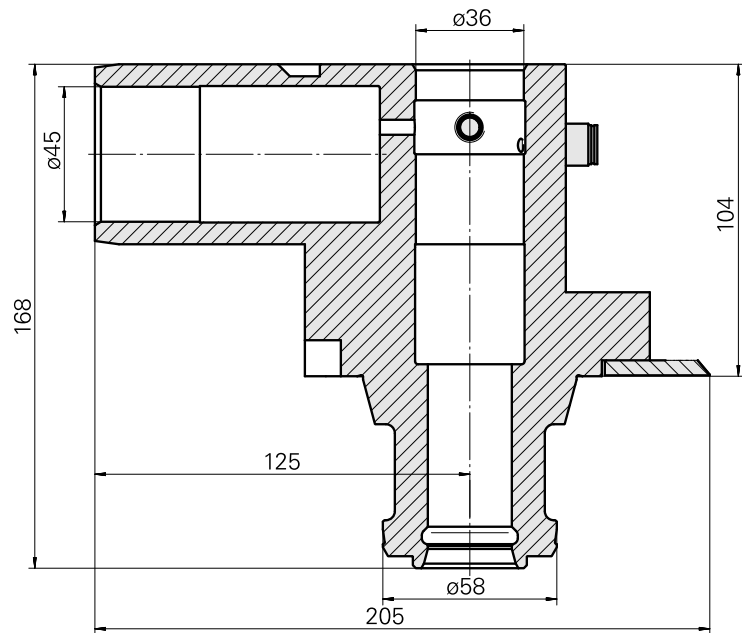
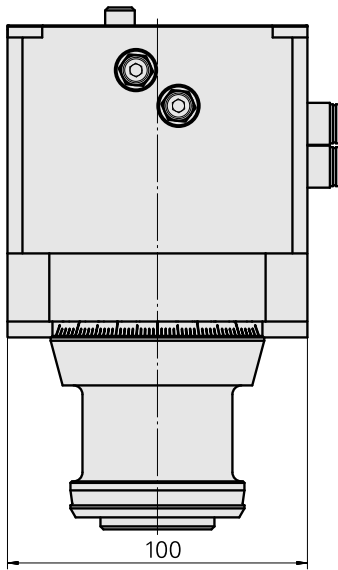
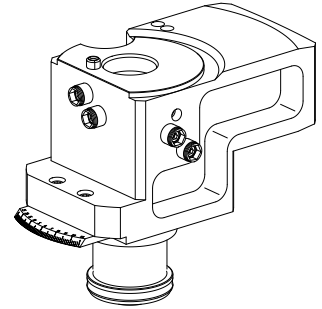
Technical features

TH accessories category

Tool mounting

Adapter pre-adjustment block

TNL32



Documents

Product notes

[DE \(pdf\)](#)

[EN \(pdf\)](#)

[FR \(pdf\)](#)