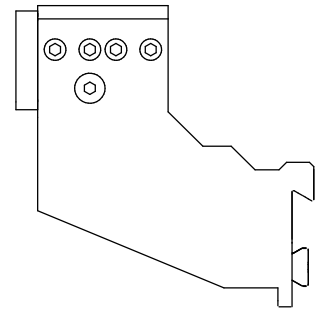


Drilling tool holder Circular prism D16

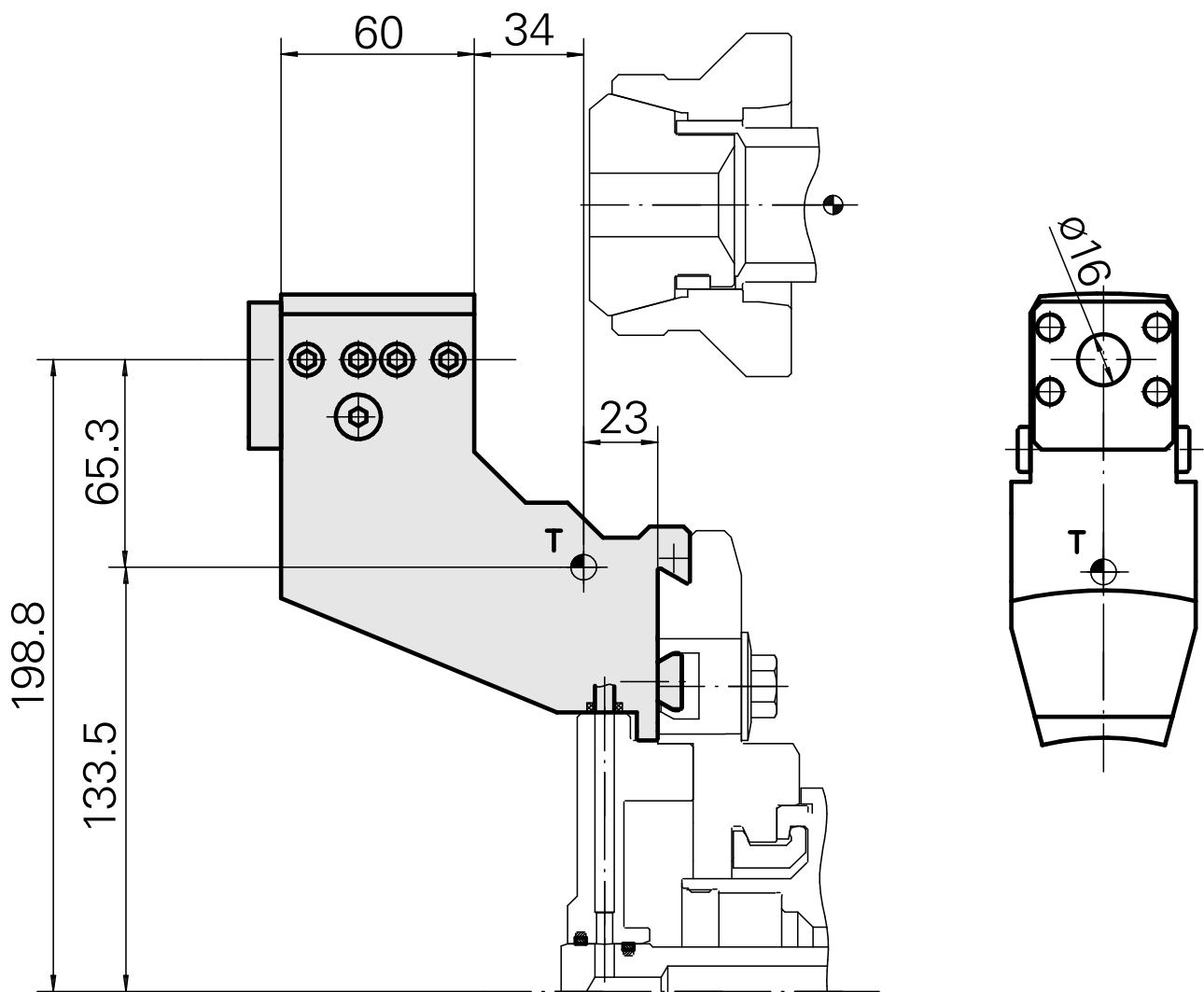
Technical data

Shank TNL	Circular prism
Drive	not live
Fixation TNL	Central tensioning screw
Cooling	external
Pressure	30 bar
Mounting	D16
INDEX TRAUB products	TNK36 • TNL26



Note

A collision check must be carried out before use!



Documents

No downloads available for this product

Accessories

Optional accessories

Other accessories

[Mounting sleeve with collar D16](#)

Product ID : 10914323

Previous product ID : W67511.04--
