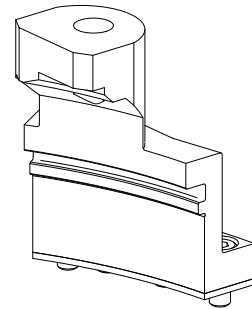


---

## Back end unit MS32/MS40 D15, spindle position 6

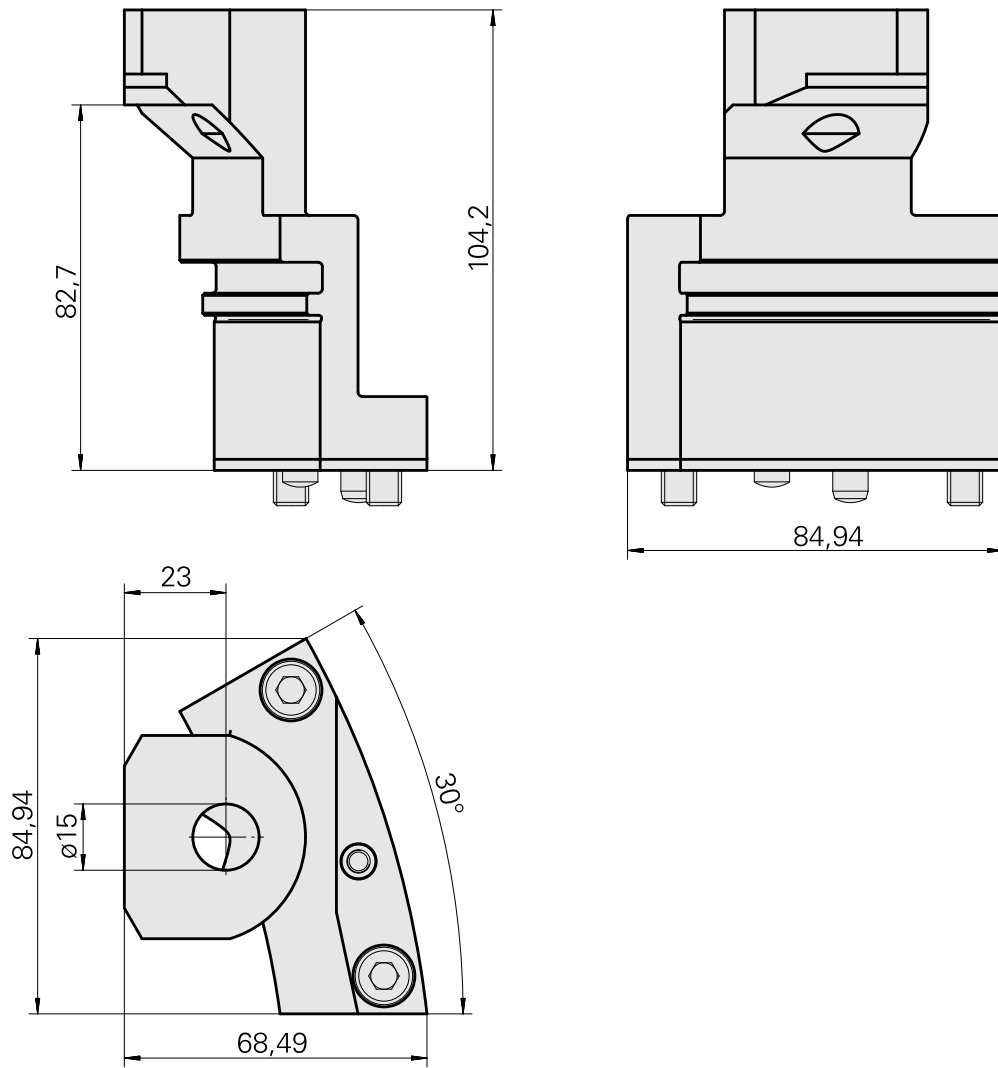
### Technical data

<b>Slide system MS</b>	MS32/MS40
<b>Drive</b>	not live
<b>Fixation MS</b>	Splined key/pin
<b>Mounting</b>	D15
<b>X [mm]</b>	104.2 (4.10")
<b>Y [mm]</b>	–
<b>Z [mm]</b>	–
<b>INDEX TRAUB products</b>	MS32C • MS32-6.2 • MS40-6 • MS32-6.3



### Note

Can be used only in position 6 on the INDEX MS32-6 from machine no. 150832 and on the INDEX MS40-6 from machine no. 200198!



## **Documents**

No downloads available for this product