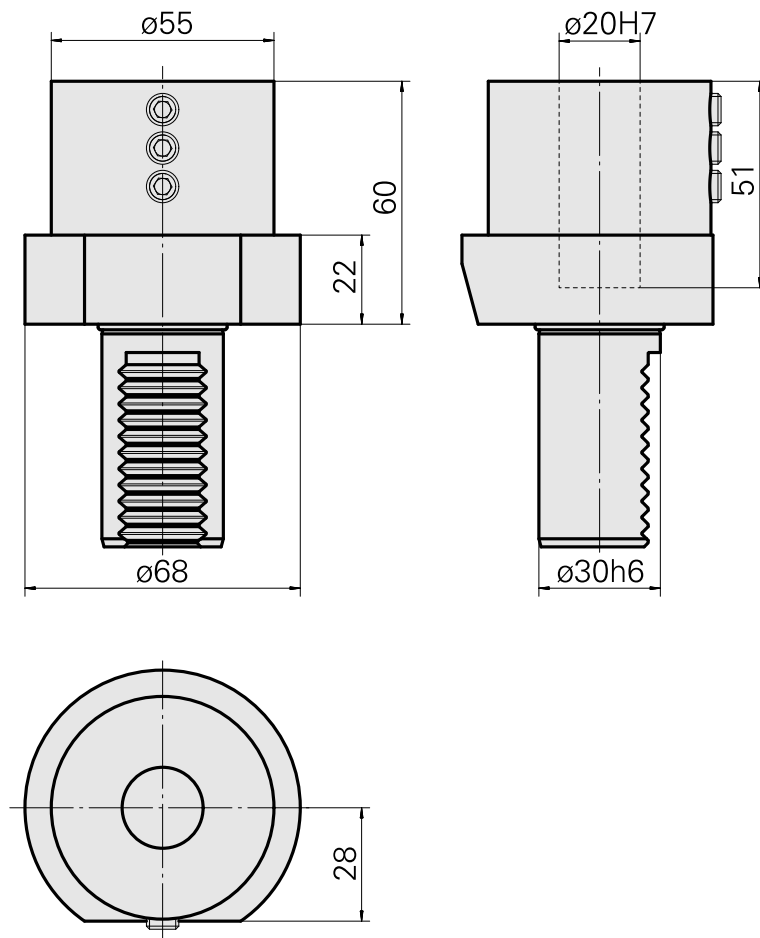
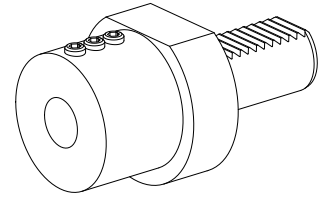


Drilling tool holder VDI 30 D20, Form E2

Technical data

Shank VDI	VDI 30
Drive	not live
Fixation VDI	none
Cooling	external and internal
Pressure	20 bar
Mounting	D20
reversible 180°	no
Data carrier	check tool station bore
X [mm]	60 (2.36")
Y [mm]	–
Z [mm]	–
INDEX TRAUB products	V100 • V200 • V160C • V160G • TNA300



Documents

No downloads available for this product

Accessories

Optional accessories

Other accessories

[Mounting sleeve D20](#)

Product ID : 10994732

Previous product ID : W62220.01--

[Mounting sleeve with collar D20](#)

Product ID : 10063939

Previous product ID : W68510.04--
