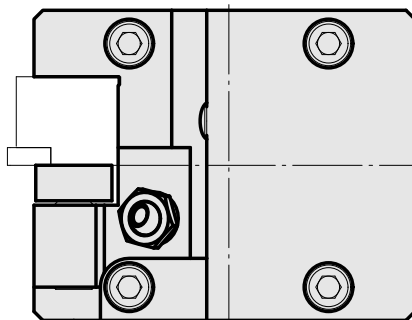
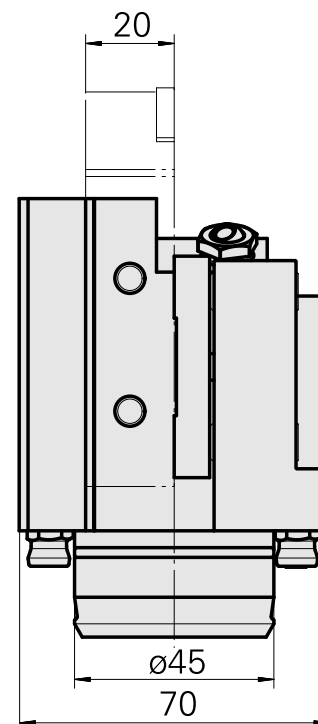
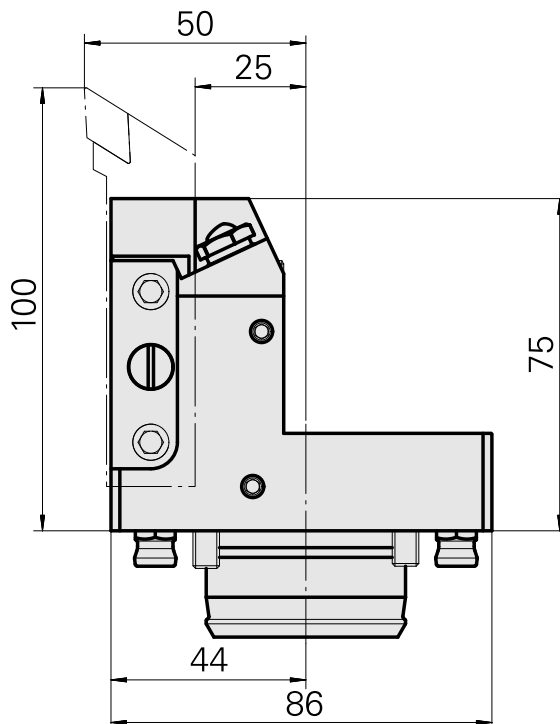
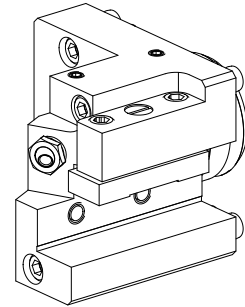


Turning tool holder KPS 45 square 20x20

Technical data

Shank KPS	KPS 45
Drive	not live
Cooling	external
Mounting	Square 20x20
Pressure	80 bar
X [mm]	75 (2.95")
Y [mm]	-
Z [mm]	25 (0.98)
INDEX TRAUB products	ABC65 • TNK42/65 • TNL32 • TNL32-11



Documents

No downloads available for this product

Accessories

Optional accessories

Tool holder accessories

[Tube, L=100 mm \(3.93"\)](#)

Product ID : 10303677

Previous product ID : W9990910

TH accessories
category
Cooling lubricant tube

Mounting
M5

Other accessories

[Bush 4x8x12](#)

Product ID : 10831938

Previous product ID : W02010.0002

[Hollow screw M12x1](#)

Product ID : 10757766

Previous product ID : W02013.0001

[Ball nozzle D8xM5](#)

Product ID : 10392450

Previous product ID : W02019.0002
