

INDEX CAPTO C3 D12 (0.47 ")

Technical features

TH accessories category

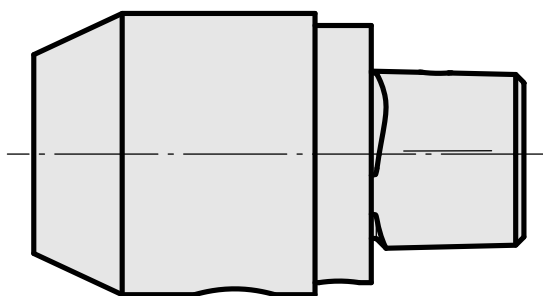
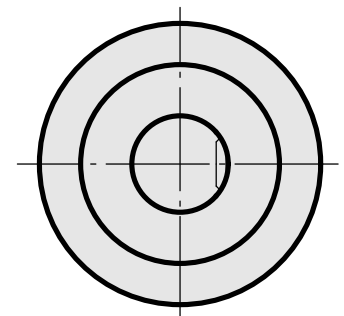
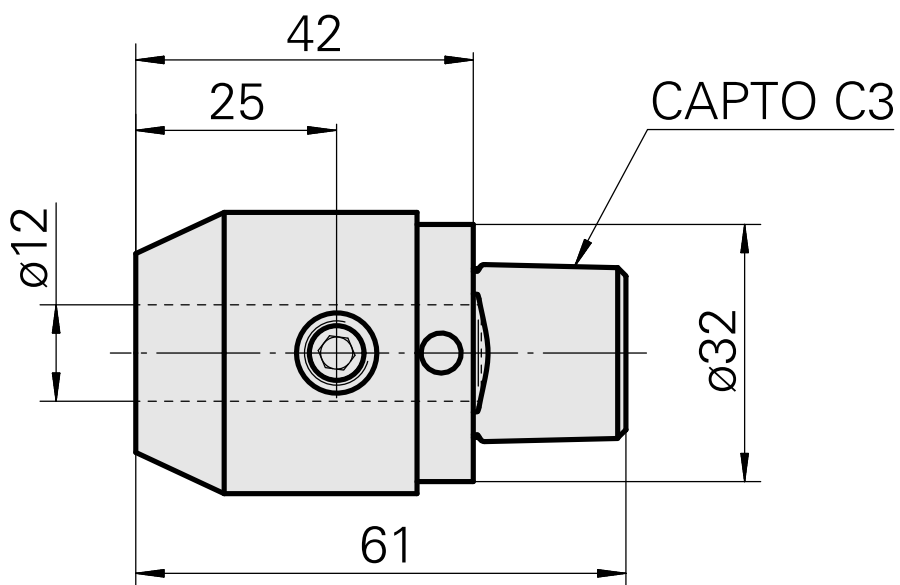
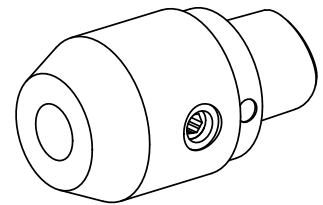
INDEX CAPTO C3

Mounting

D12 (0.47 ")

Quick change inserts

Weldon mounting



Documents

No downloads available for this product

Accessories

Optional accessories

Other accessories

[Mounting sleeve with collar D12](#)

Product ID : 11060576

Previous product ID : W94280.21--

[Clamping sleeve D12](#)

Product ID : 10964938

Previous product ID : 993112.-----
