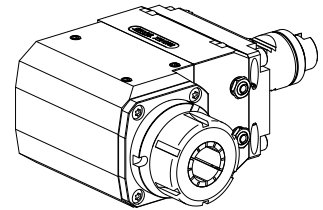


Milling unit VDI 40 1:1 ER40

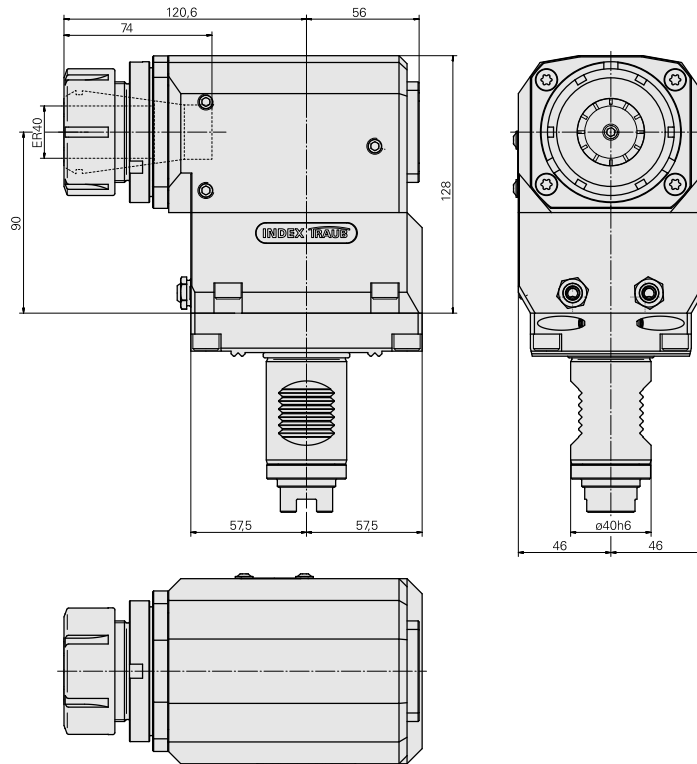
Technical data

Shank VDI	VDI 40
Drive	Dog clutch
Fixation VDI	W serration
Speed ratio	1:1
Cooling	external, internal optional
Pressure	80 bar
Mounting	ER40
reversible 180°	yes
Direction	same as drive direction
X [mm]	110 (4.33")
Y [mm]	–
Z [mm]	120,6 (4,75")
INDEX TRAUB products	G250 • G420 • B400 • B500 • TNA500.2 • TNA400.2 • G400.2 • G500 • G520 • G300.2 • G320.2 • B400.3 • TNA400.3 • B500.3 • TNA500.3



Note

G400/500 Tool carrier at top: Can only be used in the direction of the main spindle



Documents

Product notes

[DE \(pdf\)](#)

[EN \(pdf\)](#)

[FR \(pdf\)](#)

[PT \(pdf\)](#)

Accessories

Required for operation

[Spanner](#)

Product ID : 10474438

Previous product ID : 490219.0401

TH accessories category Tool	Mounting ER40	Collet type ER 40	Clamping nut type Female thread
Tools for Collet chucks Clamping nut wrench			

[Hook wrench](#)

Product ID : 10567017

Previous product ID : 490340.0590

TH accessories category Tool	Clamping nut type Outside diameter 55-62 mm	Tools for Collet chucks Hook wrench
---------------------------------	---	--

Optional accessories

Tool holder accessories

[Coolant Supply, internal 160 bar](#)

Product ID : 10236572

Previous product ID : W9990284

[Coolant Supply, internal 80 bar](#)

Product ID : 10687215
Previous product ID : W9990290

[Clamping nut](#)

Product ID : 11029703
Previous product ID : 901939.0401

TH accessories category Clamping nut	Mounting ER40	Collet type ER 40	Clamping nut type Female thread
---	------------------	----------------------	------------------------------------

Other accessories

[Clamping collet](#)

Product ID : 10146045
Previous product ID : 901930.4---

[HOLLOW SCREW M14x1 M14x1](#)

Product ID : 10105238
Previous product ID : W67530.0818

[BUSHING 10 D x 6 D x 12,5](#)

Product ID : 10670360
Previous product ID : W67530.0824

[Coolant Nozzle](#)

Product ID : 11031912
Previous product ID : W67500.3208

[Nozzle M6 mit D1,6](#)

Product ID : 10147428
Previous product ID : W00019.0216

[Sealing kit](#)

Product ID : 12181693
Previous product ID :

10744754
W1455041

INDEX

[Blanking plug MIT O-RING 479105.1200](#)

Product ID : 10988240

Previous product ID : W68540.2014
