

Adaptor SK50/VDI30

Technical features

TH accessories category

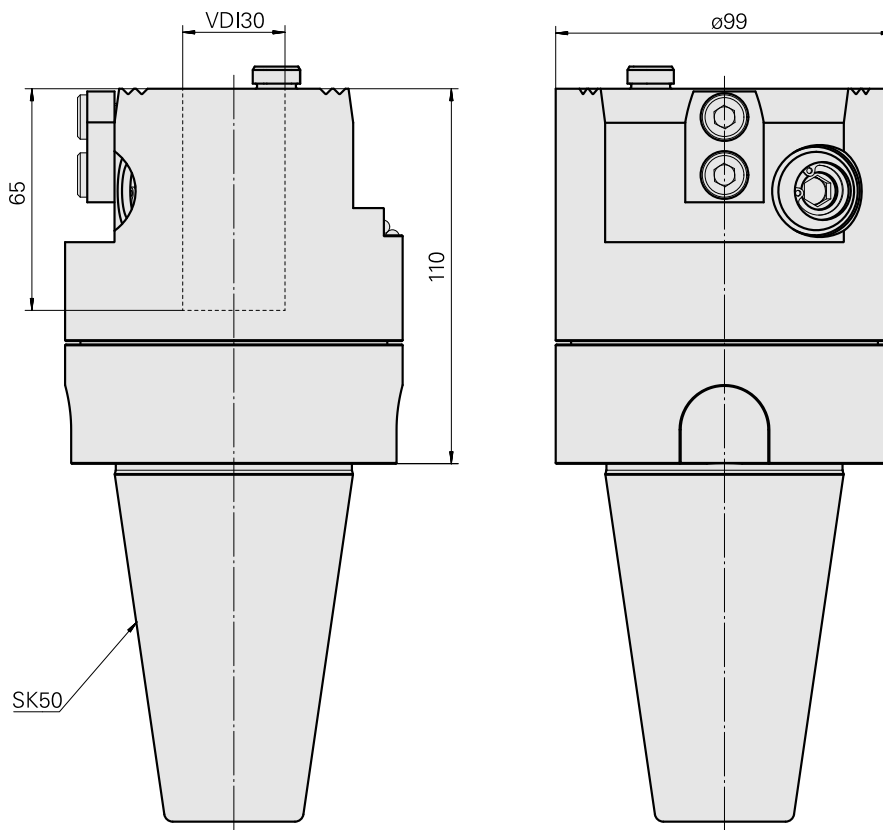
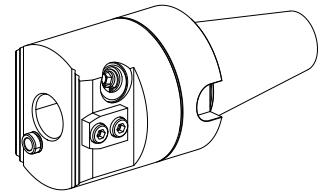
Adapter for presetting units

Mounting

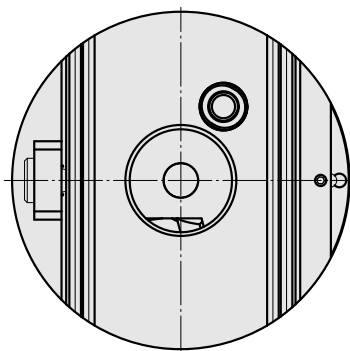
SK50

Tool mounting

VDI 30



SK50



Documents

No downloads available for this product