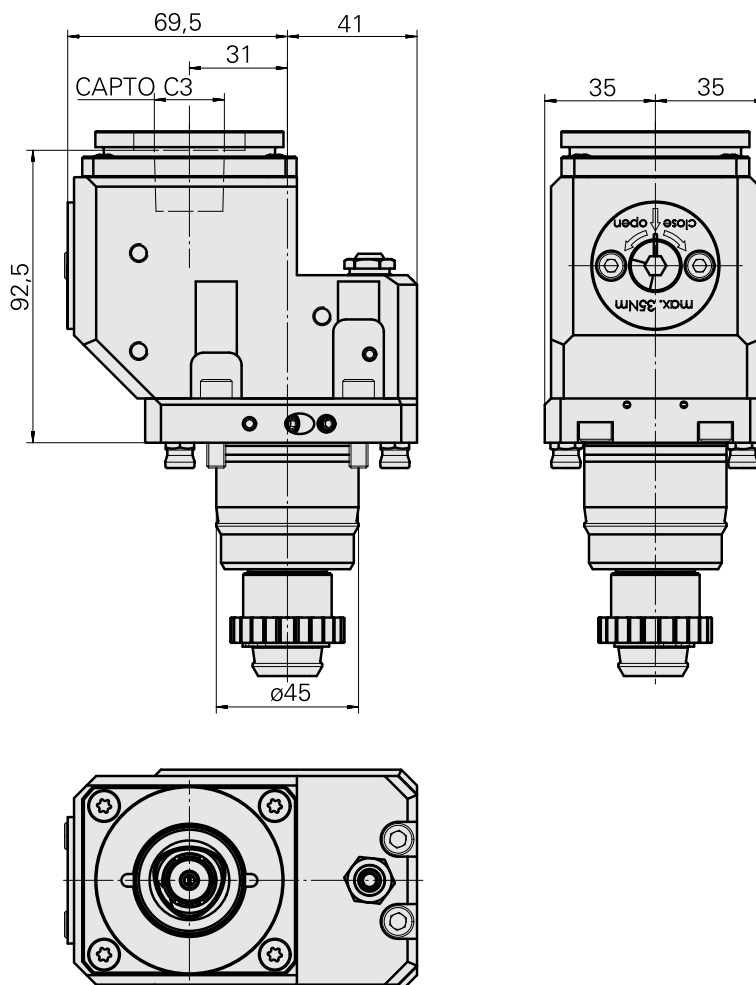
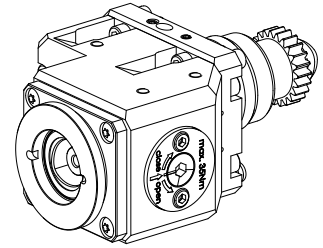


Milling unit KPS 45 1:1 INDEX CAPTO C3

Technical data

Shank KPS	KPS 45
Drive	Spur gear 23 Teeth
Speed ratio	1:1
Cooling	external and internal
Mounting	INDEX CAPTO C3
Pressure	80 bar
Direction	opposite to drive direction
X [mm]	92.5 (3.64")
Y [mm]	–
Z [mm]	31 (1.22)
INDEX TRAUB products	ABC65 • TNK42/65 • TNL32-11 • TNL32



Documents

Product notes

[FR \(pdf\)](#)

[DE \(pdf\)](#)

[EN \(pdf\)](#)

[DE \(pdf\)](#)

[EN \(pdf\)](#)

[FR \(pdf\)](#)

Accessories

Optional accessories

Tool holder accessories

[Coolant tube, L=100 mm \(3.93"\)](#)

Product ID : 10346684

Previous product ID : W9990559

TH accessories
category
Cooling lubricant tube

Mounting
M6

[Spanner](#)

Product ID : 10975197

Previous product ID : W9990560

TH accessories
category
Tool

Tools for Collet chucks
Wrench spur gear (23
teeth)

Other accessories

[Coolant Nozzle](#)

Product ID : 11031912

Previous product ID : W67500.3208

10702740
W7045132

INDEX

[HOLLOW SCREW M14x1 M14x1](#)

Product ID : 10105238
Previous product ID : W67530.0818

[BUSHING 10 D x 6 D x 12,5](#)

Product ID : 10670360
Previous product ID : W67530.0824

[Nozzle M6 mit D1,6](#)

Product ID : 10147428
Previous product ID : W00019.0216

[Adapter INDEX CAPTO C3 rotating](#)

Product ID : 10925971
Previous product ID : WZ9990.3000F
