

## INDEX CAPTO C3 D8 (0.31 ")

### Technical features

TH accessories category

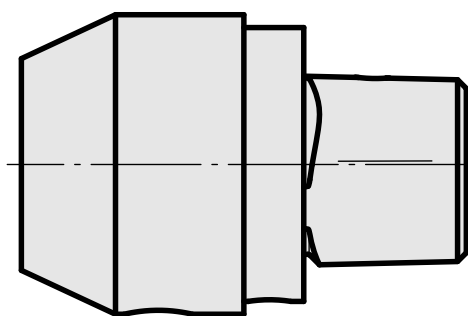
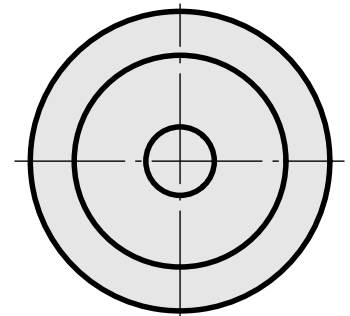
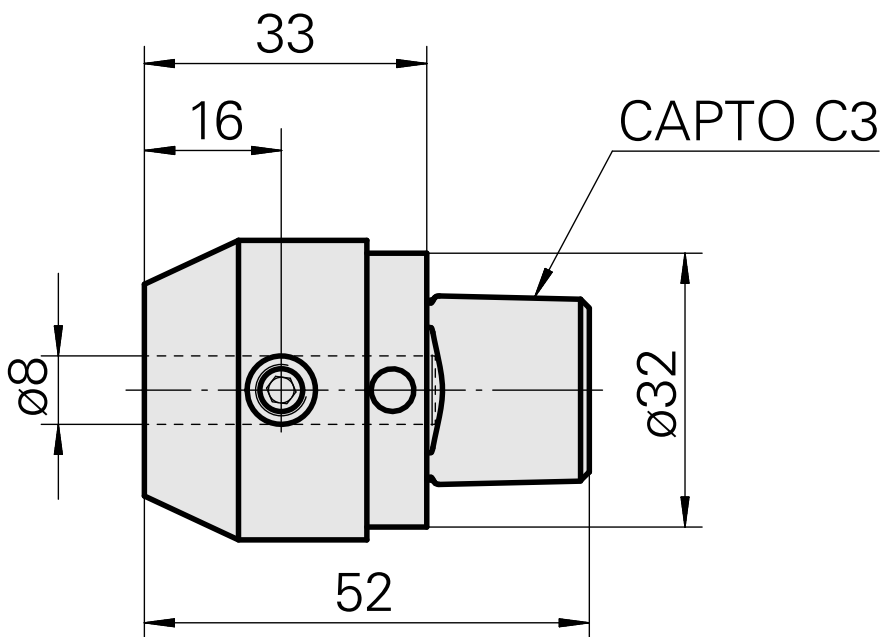
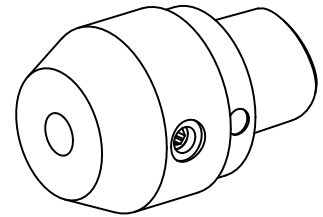
INDEX CAPTO C3

Mounting

D8 (0.31 ")

Quick change inserts

Weldon mounting



## **Documents**

No downloads available for this product