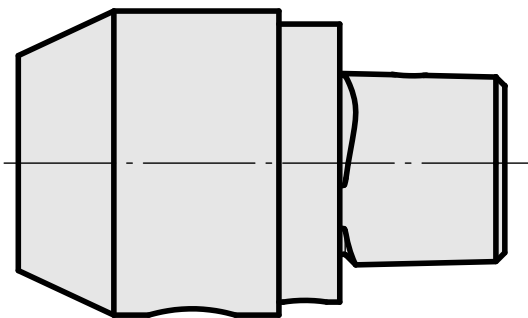
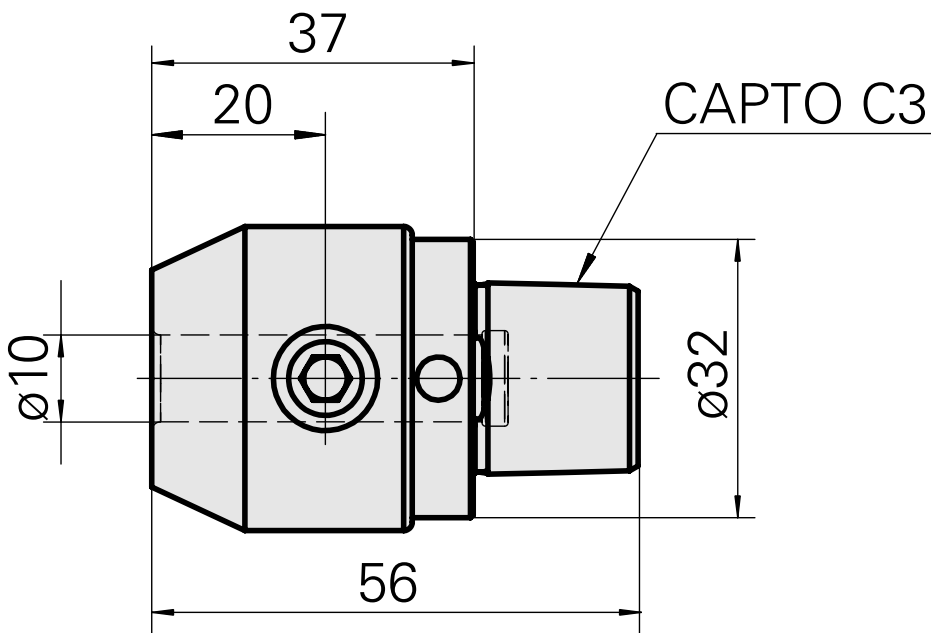
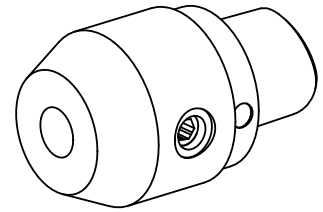


INDEX CAPTO C3 D10 (0.39 ")

Technical features

| | |
|-------------------------|-----------------|
| TH accessories category | INDEX CAPTO C3 |
| Mounting | D10 (0.39 ") |
| Quick change inserts | Weldon mounting |



10680934
W9990593

INDEX

Documents

No downloads available for this product