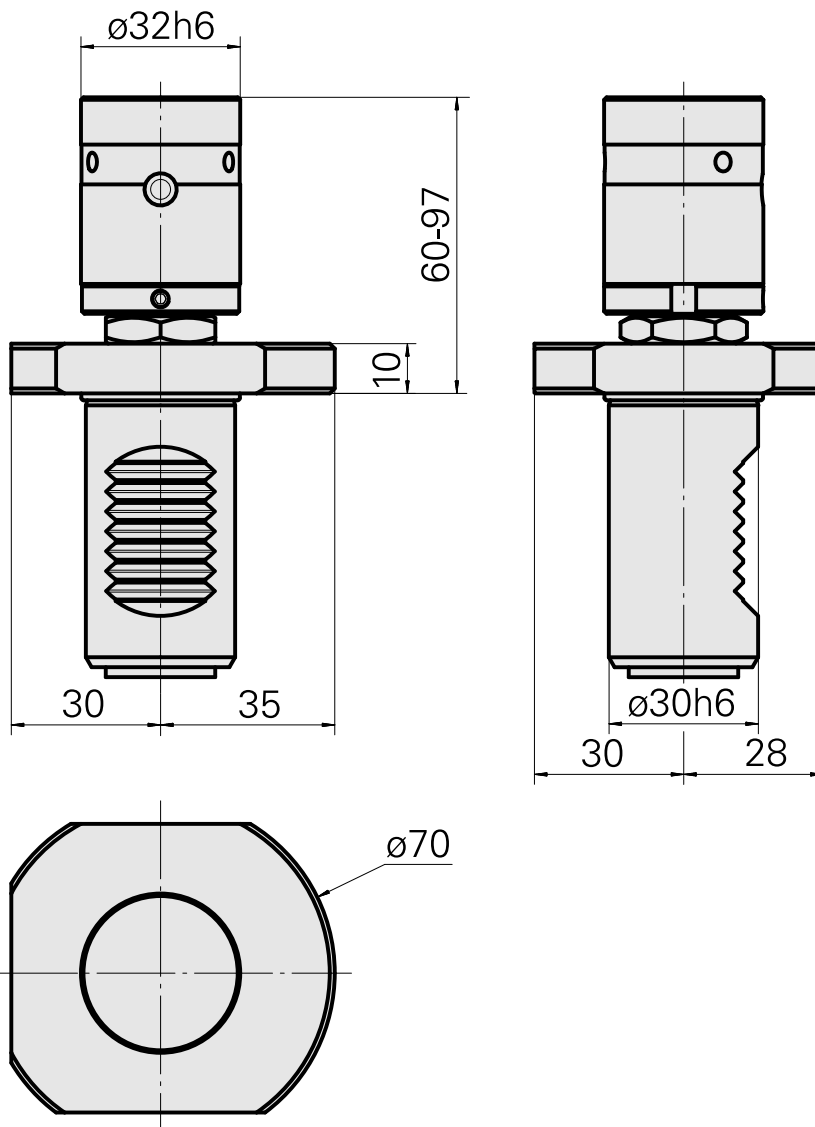


## Bar stop VDI 30, adjustable, live

### Technical data

Shank VDI	VDI 30
Drive	not live
Fixation VDI	none
reversable 180°	no
X [mm]	60 - 97 (2.36" - 3.82")
Y [mm]	-
Z [mm]	-
INDEX TRAUB products	IT600 • TNA300



## **Documents**

No downloads available for this product