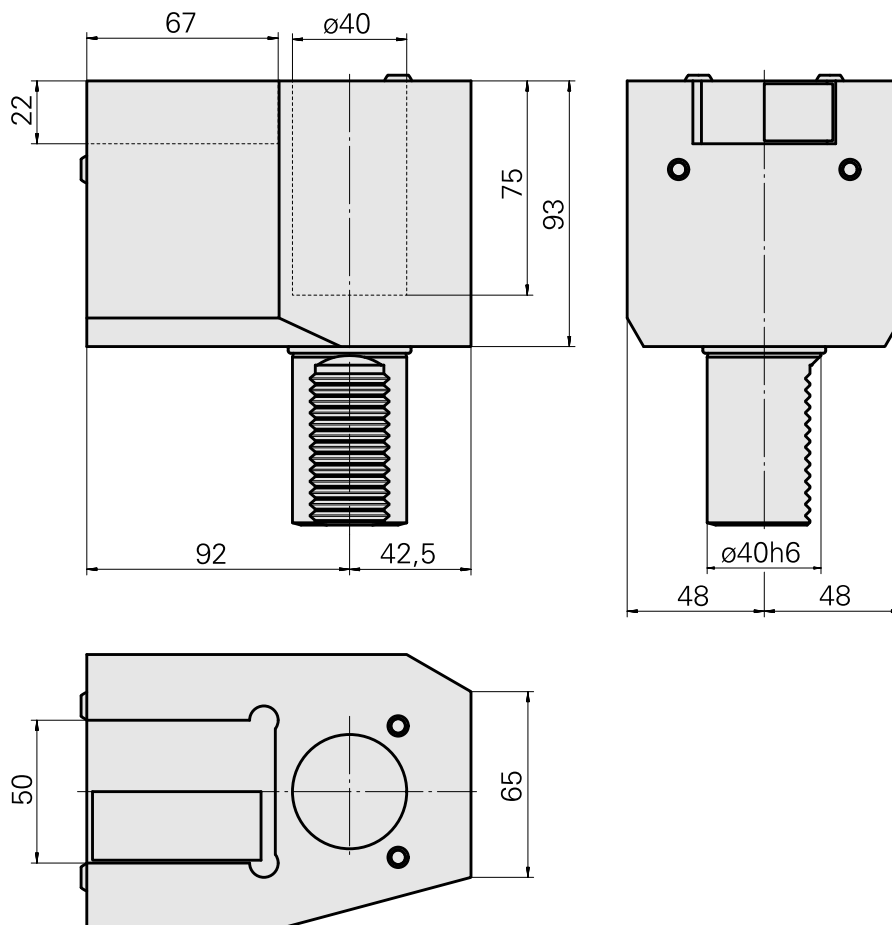
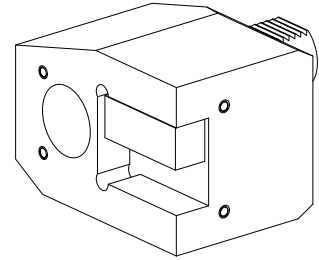


## Drilling and turning holder VDI 40 D40 (

### Technical data

<b>Shank VDI</b>	VDI 40
<b>Drive</b>	not live
<b>Fixation VDI</b>	none
<b>Cooling</b>	external
<b>Pressure</b>	40 bar
<b>Mounting</b>	D40/Square 25x25
<b>reversible 180°</b>	no
<b>X [mm]</b>	93 (3.66")
<b>Y [mm]</b>	–
<b>Z [mm]</b>	92 (3.62)
<b>INDEX TRAUB products</b>	TNA400 • B400 • B500 • TNA500.2 • TNA400.2 • TNA400.3 • B400.3 • B500.3 • TNA500.3



---

## Documents

No downloads available for this product

## Accessories

Optional accessories

### Other accessories

#### [Mounting sleeve with collar D40](#)

Product ID : 10480161

Previous product ID : W64222.41--

---

#### [Mounting sleeve D40 2x holes](#)

Product ID : 10159790

Previous product ID : W64220.02--

---

#### [Mounting sleeve D40 3x holes](#)

Product ID : 10789882

Previous product ID : W64221.14--

---

#### [Not defined](#)

Product ID : 10090727

Previous product ID : W9990343

---

#### [Spanner f. Kühlmittelsatz W9990343](#)

Product ID : 10466546

Previous product ID : SW000257

---