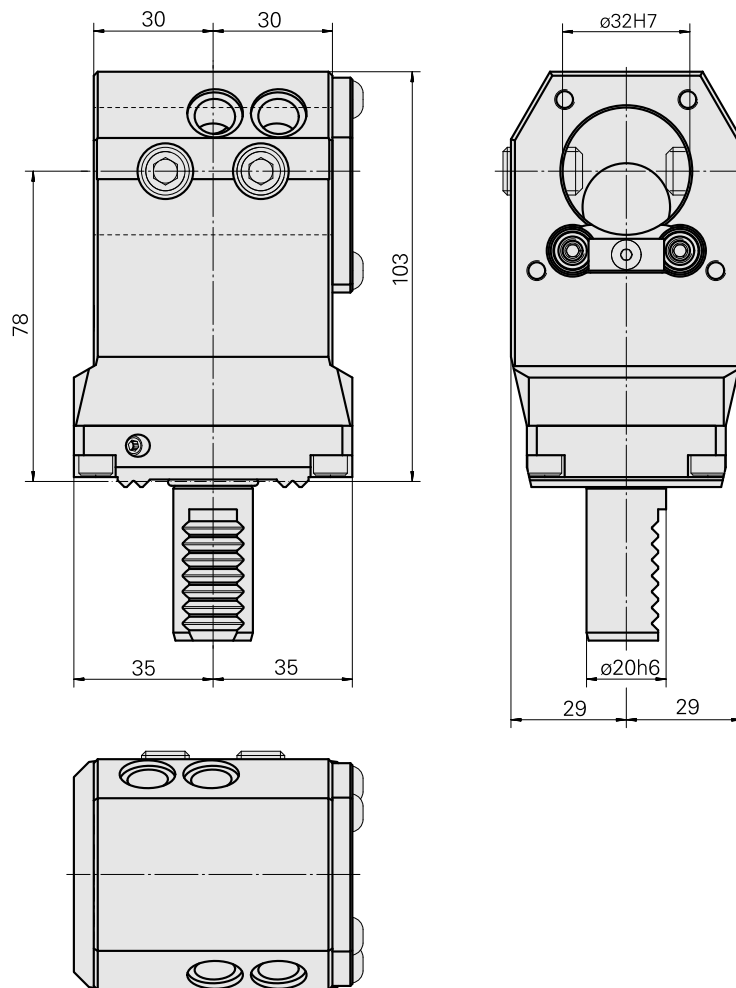
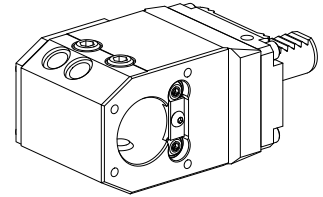


## Drilling tool holder VDI 20 DIN 1835 B/E

### Technical data

Shank VDI	VDI 20
Drive	not live
Fixation VDI	W serration
Cooling	external and internal
Pressure	40 bar
Mounting	DIN 1835 B/E D32
reversible 180°	no
X [mm]	78 (3.07")
Y [mm]	–
Z [mm]	30 (1.18)
INDEX TRAUB products	C100



---

## Documents

No downloads available for this product

## Accessories

### Optional accessories

#### Tool holder accessories

##### [Center](#)

Product ID : 10890013

Previous product ID : W9990164

TH accessories  
category  
Center

Mounting  
D32

#### Other accessories

##### [Mounting sleeve with collar D32](#)

Product ID : 10505810

Previous product ID : W63221.40--

---

##### [Mounting sleeve D32](#)

Product ID : 10022842

Previous product ID : W63220.02--

---

##### [Seal](#)

Product ID : 10478680

Previous product ID : W67221.4196

---

##### [BALL SPRAY NOZZLE 12D/M6](#)

Product ID : 10602750

Previous product ID : 474550.0101

---

10655688  
W1150021

**INDEX**

---

Metal sheet

Product ID : 10669690  
Previous product ID : W67222.4108

---

Socket head screw

Product ID : 10485258  
Previous product ID : 410214.0410

---