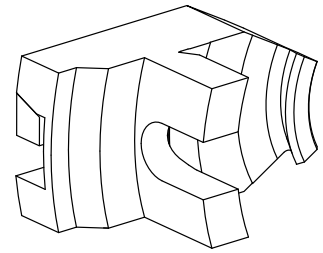


## Grooving tool holder Circular prism Squa

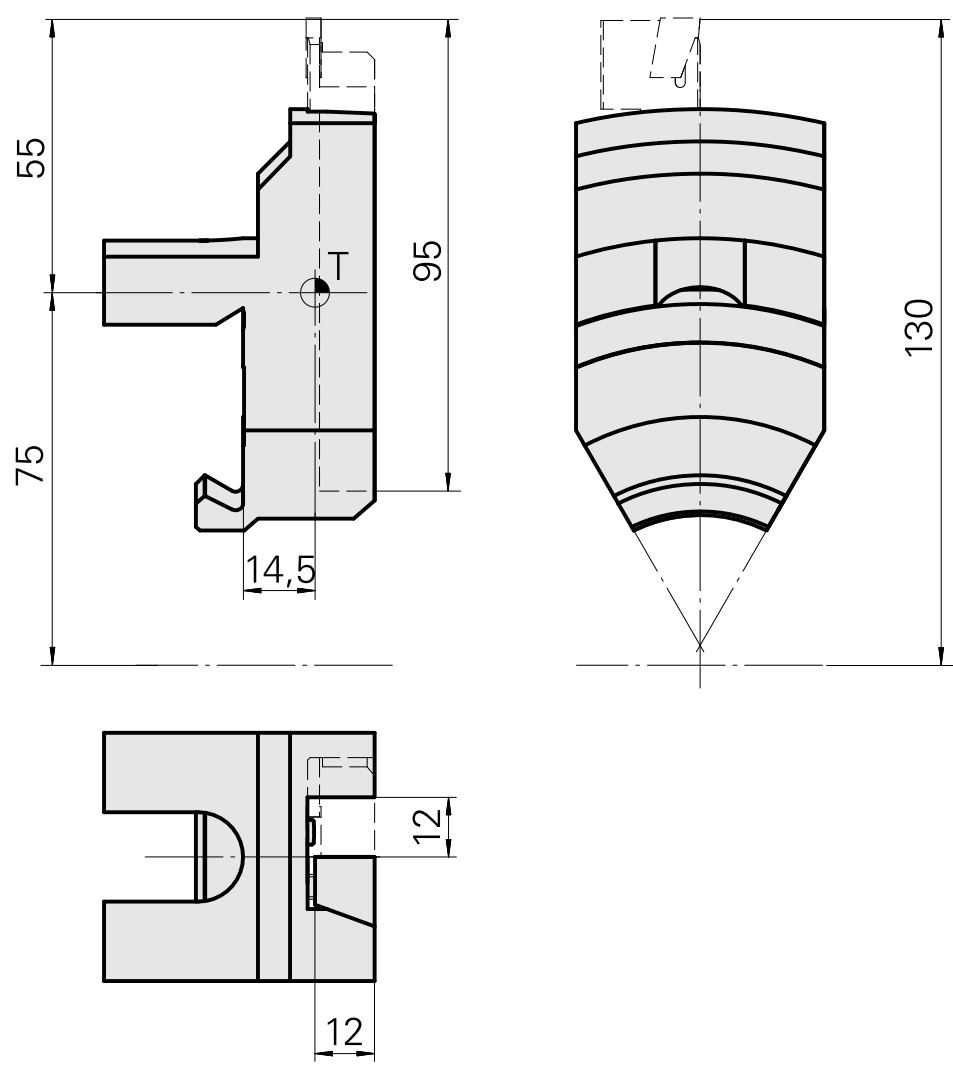
### Technical data

Shank TNL	Circular prism
Drive	not live
Fixation TNL	Central tensioning screw
Mounting	Square 12x12
reversible 180°	no
X [mm]	55 (2.17")
Y [mm]	–
Z [mm]	0 ()
INDEX TRAUB products	TNL12 • TNL12.2



### Note

Only for clockwise rotation!



10652929  
950543

## **Documents**

No downloads available for this product