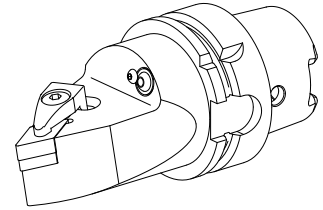


Turning tool holder HSK 63 T for DN.. 15

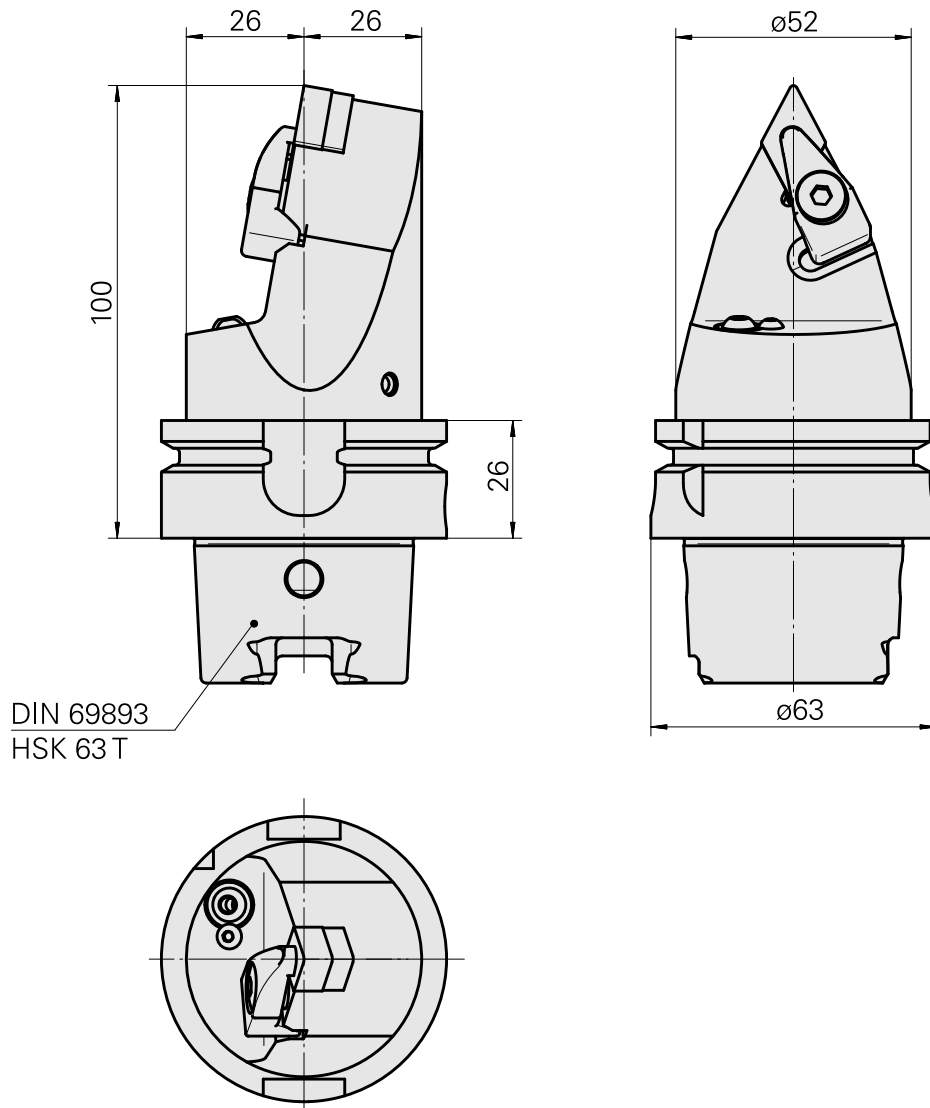
Technical data

| | |
|-----------------------------|---|
| Shank HSK | HSK 63 |
| Form HSK | T |
| Mounting | for DN.. 1506.. |
| Cooling | external |
| Pressure | 80 bar |
| X [mm] | 100 (3.94") |
| INDEX TRAUB products | G220 • R300 • G420 • G520 • G320.2 • G220.3 • TNX220.3 • G320.3 compact |



Note

Not suitable for INDEX G160, G250 and G400!



Documents

No downloads available for this product

Accessories

Required for operation

[Socket wrench](#)

Product ID : 10352082

Previous product ID : WS7800.0010

TH accessories
category
Tool for KSS adapter

Mounting
HSK 63 A/C

Optional accessories

Tool holder accessories

[Coolant adapter kit HSK-A63](#)

Product ID : 11074450

Previous product ID : WS7800.0020

TH accessories
category
Cooling lubricant
transfer set

Mounting
HSK 63 A/C

[Coolant adapter kit HSK63, max. 120 bar](#)

Product ID : 12024087

Previous product ID :

TH accessories
category
Cooling lubricant
transfer set

Mounting
HSK 63 A/C

Other accessories

[Clamping screw 17843020](#)

Product ID : 10701191

Previous product ID : W00013.0033

10652895
W2550001

INDEX

[Bush 17845040](#)

Product ID : 10881665
Previous product ID : W00013.0034

[Lever 17841205](#)

Product ID : 10484952
Previous product ID : W00014.0014

[Spring 17842160](#)

Product ID : 10307247
Previous product ID : W00019.0104

[Base plate 17844105](#)

Product ID : 10229263
Previous product ID : W00019.0145
