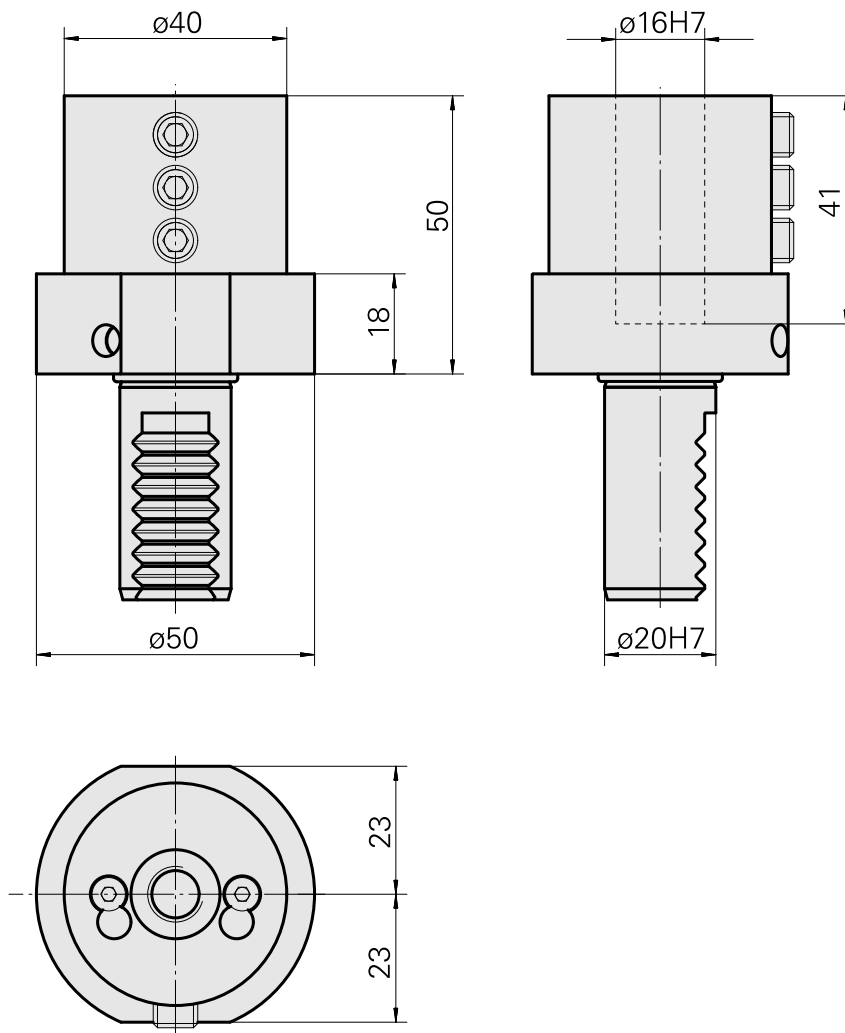
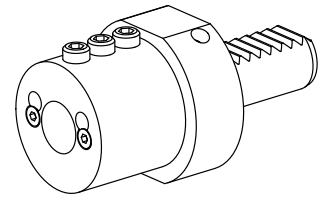


Drilling tool holder VDI 20 D16, Form E2

Technical data

| | |
|-----------------|------------|
| Shank VDI | VDI 20 |
| Drive | not live |
| Fixation VDI | none |
| Cooling | external |
| Pressure | 20 bar |
| Mounting | D16 |
| reversible 180° | no |
| X [mm] | 50 (1.97") |
| Y [mm] | - |
| Z [mm] | - |



Documents

No downloads available for this product

Accessories

Optional accessories

Other accessories

[Mounting sleeve with collar D16](#)

Product ID : 10914323

Previous product ID : W67511.04--
