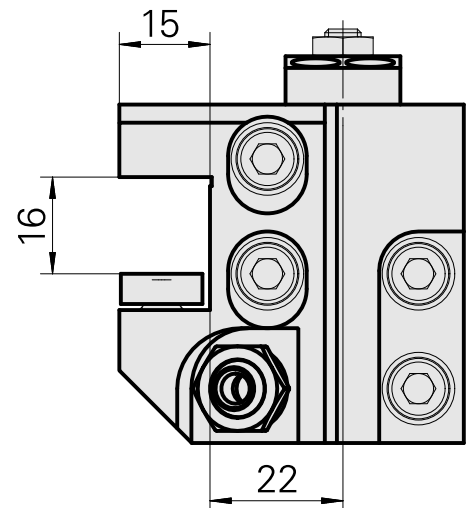
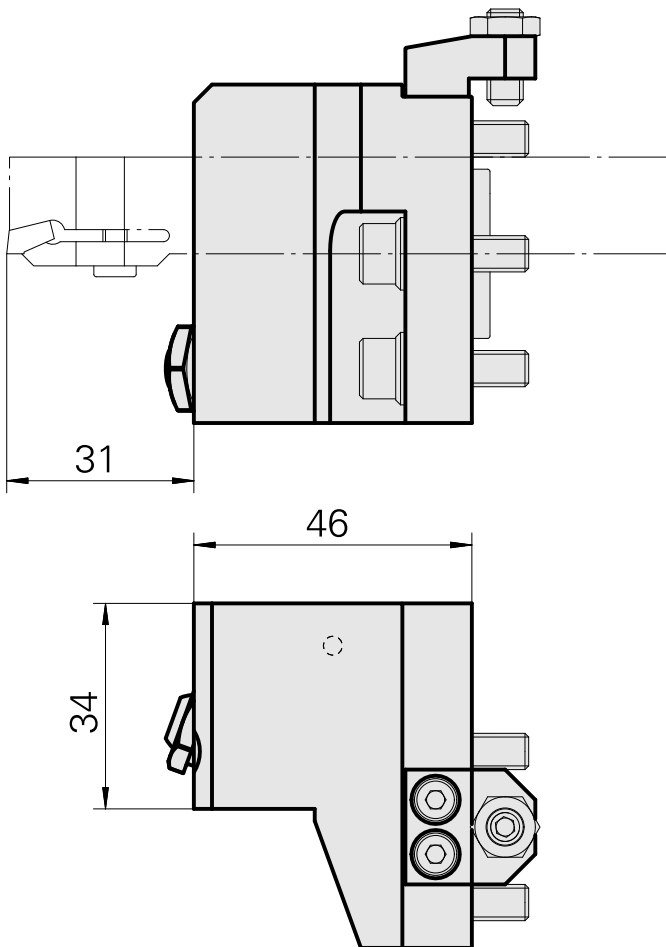
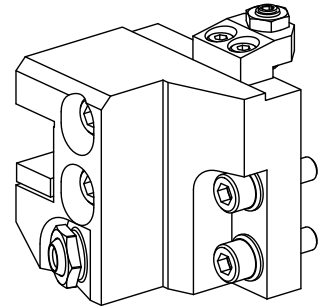


Grooving tool holding block Square 16x16, adjustable in Y direction

Technical data

Drive	not live
Cooling	external
Pressure	80 bar
Direction	right-handed run
Mounting	Square 16x16
X [mm]	46 (1.81")
Y [mm]	–
Z [mm]	22 (0.87)
INDEX TRAUB products	MS16-6 • MS16-6 Plus



Documents

No downloads available for this product

Accessories

Optional accessories

Other accessories

[Coolant Nozzle](#)

Product ID : 11031912

Previous product ID : W67500.3208

[Nozzle M6 mit D1,6](#)

Product ID : 10147428

Previous product ID : W00019.0216

[HOLLOW SCREW M14x1 M14x1](#)

Product ID : 10105238

Previous product ID : W67530.0818

[BUSHING 10 D x 6 D x 12,5](#)

Product ID : 10670360

Previous product ID : W67530.0824
