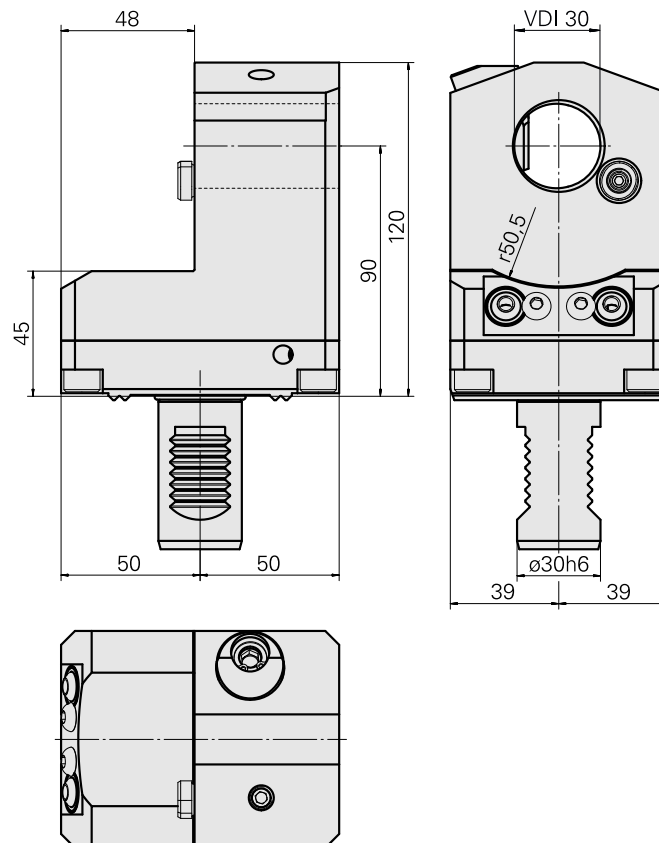
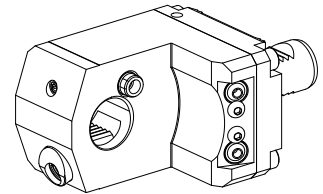


Compensation holder

Technical data

Shank VDI	VDI 30
Drive	not live
Fixation VDI	W serration
Cooling	external and internal
Pressure	40 bar
Mounting	VDI 30
reversible 180°	yes
Data carrier	tool station bore present
X [mm]	90 (3.54")
Y [mm]	–
Z [mm]	2 (0.08)
INDEX TRAUB products	G160 • G300 • B400 • C200 • G220 • G250 • TNX65/42 • TNA400.2 • G300.2 • G320.2 • G220.3 • TNX220.3 • TNX200.3 • G200.3 • G320.3 compact • B400.3 • TNA400.3



Documents

No downloads available for this product

Accessories

Optional accessories

Other accessories

[Blanking plug MIT O-RING 479105.1200](#)

Product ID : 10988240

Previous product ID : W68540.2014

[Sealing kit](#)

Product ID : 12181693

Previous product ID :

[SPRAY NOZZLE 14D/M6](#)

Product ID : 10358770

Previous product ID : 474550.0121

[Lens head screw](#)

Product ID : 10188636

Previous product ID : 410243.0606

[Data carrier - BIS M-122-02/A](#)

Product ID : 12147357

Previous product ID :

[Data carrier - BIS C-122-04/L](#)

Product ID : 10878866

Previous product ID : 252310.1003

10596518
W1350000

INDEX

Glue

Product ID : 12229404
Previous product ID :

Not defined

Product ID : 10952854
Previous product ID : WL3300.9130F
