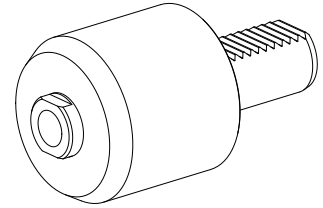


---

## Center holder VDI 30 D15.4 (0.61 ")/Con, live

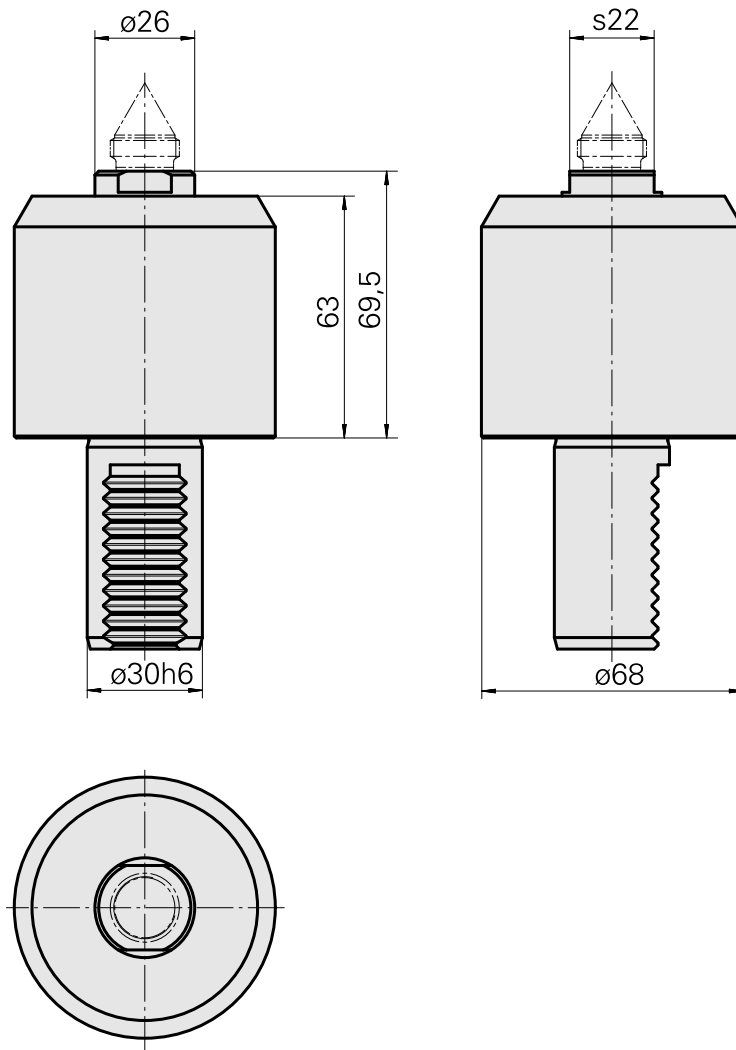
### Technical data

<b>Shank VDI</b>	VDI 30
<b>Drive</b>	not live
<b>Fixation VDI</b>	none
<b>Mounting</b>	D15.4/Cone 1:7.5
<b>reversible 180°</b>	no
<b>X [mm]</b>	69.5 (2.74")
<b>Y [mm]</b>	–
<b>Z [mm]</b>	–
<b>INDEX TRAUB products</b>	V100 • V200 • V160C • V160G • V300 • TNA300



### Note

Center is replaceable!



## **Documents**

No downloads available for this product

## **Accessories**

Optional accessories

**Other accessories**

[Center Kegel 1:7.5](#)

Product ID : 10606287

Previous product ID : W9636-.21--

---