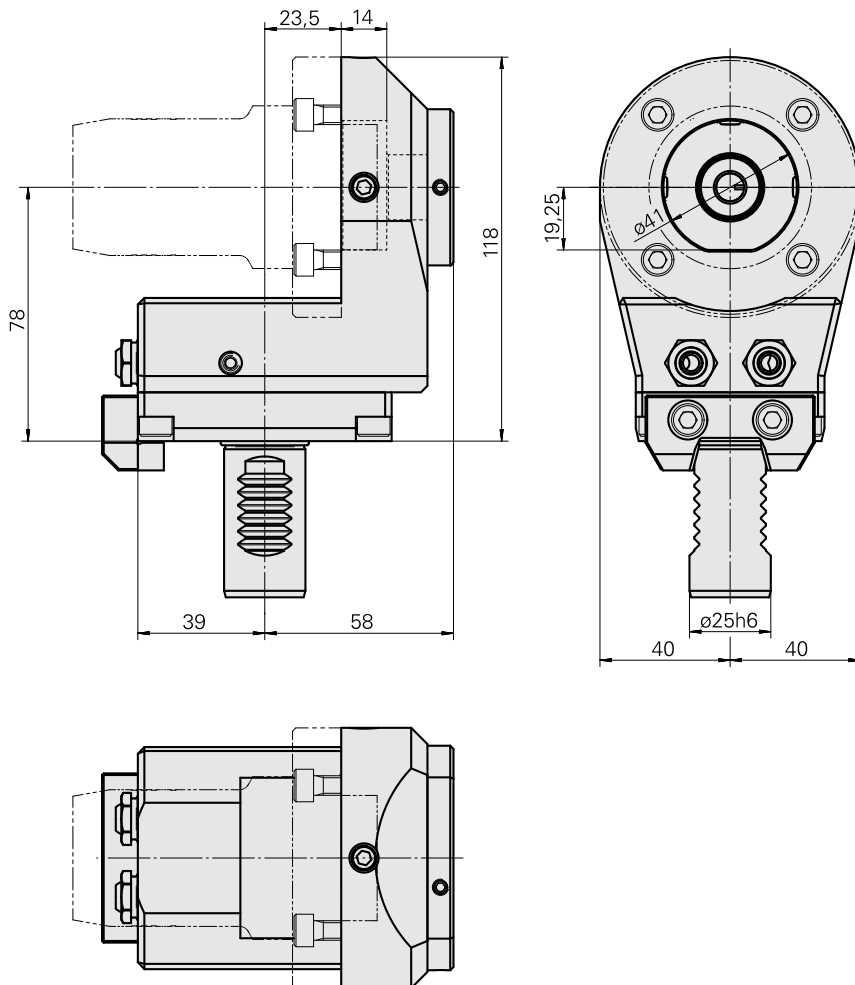
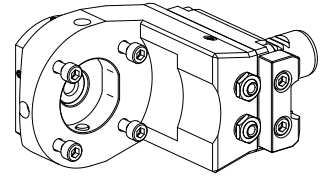


Basic holder VDI 25

Technical data

Shank VDI	VDI 25
Drive	not live
Fixation VDI	Vee bar
Cooling	external and internal
Pressure	80 bar
reversible 180°	yes
Data carrier	tool station bore present
X [mm]	78 (3.07")
Y [mm]	—
Z [mm]	-23.5 (-0.93)
INDEX TRAUB products	C42/65 • G160 • G200 • G200.2



Documents

No downloads available for this product

Accessories

Optional accessories

Tool holders with VDI shank

[Drill holding block Hydraulic expansion](#)

Product ID : 10339021

Previous product ID : W9990315

Drive not live	Fixation VDI none	Cooling external and internal	Pressure 80 bar
Mounting Hydraulic expansion chuck D12	X [mm] 77.5 (3.05")	Y [mm] -	Z [mm] -
INDEX TRAUB products G160 • ABC • C100 • C200 • G200 • G200.2 • G220 • ABC.2			

[Drill holding block Hydraulic expansion](#)

Product ID : 10090979

Previous product ID : W9990314

Drive not live	Fixation VDI none	Cooling external and internal	Pressure 80 bar
Mounting Hydraulic expansion chuck D20	X [mm] 83 (3.27")	Y [mm] -	Z [mm] -
INDEX TRAUB products G160 • ABC • C100 • C200 • G200 • G200.2 • G220 • ABC.2			

Other accessories

[Nozzle M6 mit D1,6](#)

Product ID : 10147428
Previous product ID : W00019.0216

[Setting gauge](#)

Product ID : 10767297
Previous product ID : W9990440

[Setting gauge](#)

Product ID : 10201110
Previous product ID : W9990471

[Data carrier - BIS M-122-02/A](#)

Product ID : 12147357
Previous product ID :

[Data carrier - BIS C-122-04/L](#)

Product ID : 10878866
Previous product ID : 252310.1003

[Glue](#)

Product ID : 12229404
Previous product ID :
