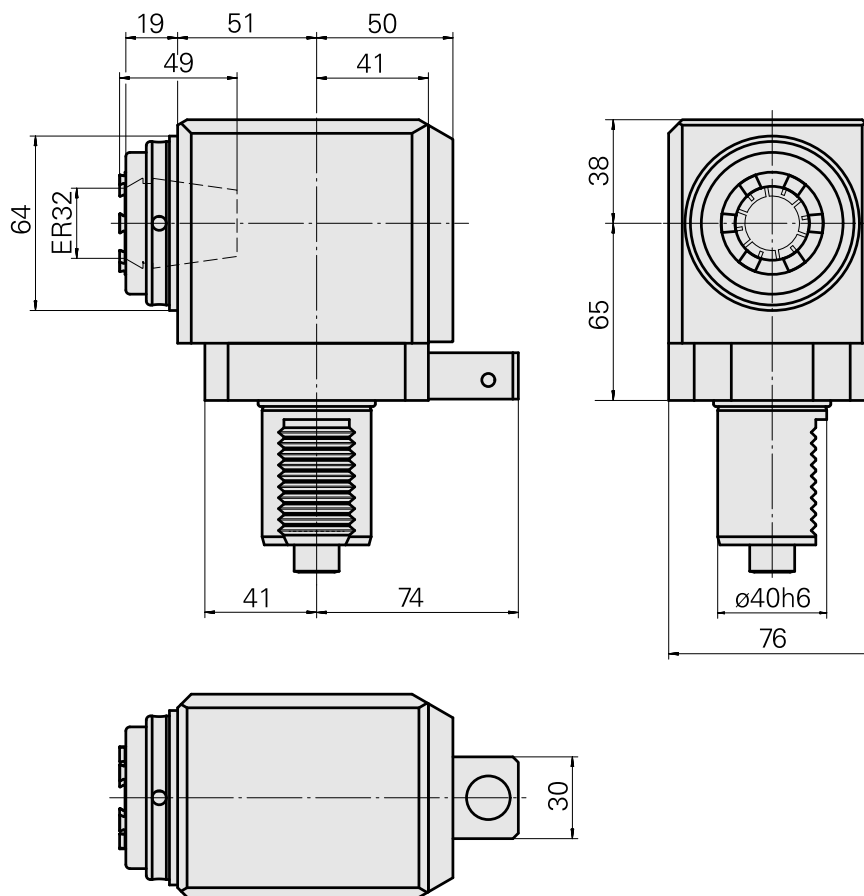
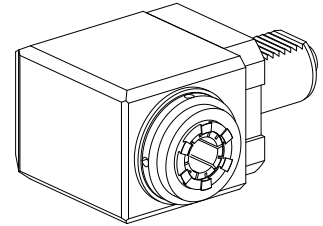


Milling unit VDI 40 1:1 ER32

Technical data

Shank VDI	VDI 40
Drive	Spline shaft B17x14
Fixation VDI	Aligning system
Speed ratio	1:1
Cooling	external
Pressure	40 bar
Mounting	ER32
reversible 180°	no
Direction	same as drive direction
X [mm]	65 (2.56")
Y [mm]	–
Z [mm]	71 (2.80)
INDEX TRAUB products	TNA400



Documents

No downloads available for this product

Accessories

Required for operation

[Spanner](#)

Product ID : 10174063

Previous product ID : 325767

TH accessories category Tool	Mounting ER32	Collet type ER 32	Clamping nut type Male thread
Tools for Collet chucks Clamping nut wrench			

[Hook wrench](#)

Product ID : 10941836

Previous product ID : 490344.1580

TH accessories category Tool	Clamping nut type Outside diameter 58-62 mm	Tools for Collet chucks Hook wrench with pin, form B
---------------------------------	---	--

Optional accessories

Tool holder accessories

[Clamping nut](#)

Product ID : 10322936

Previous product ID : 325950

TH accessories category Clamping nut	Mounting ER32	Collet type ER 32	Clamping nut type Male thread
---	------------------	----------------------	----------------------------------

Other accessories

10575487
W1465000

INDEX

[Clamping collet](#)

Product ID : 10187712
Previous product ID : 901930.6---

[tapping tool collet ET-1-32](#)

Product ID : 10640099
Previous product ID : 3242--

[tapping tool collet](#)

Product ID : 10601144
Previous product ID : WZ9990.9509F

[Collet chuck](#)

Product ID : 10659178
Previous product ID : W999068-

[Tool holder 6x1x70](#)

Product ID : 10817034
Previous product ID : W00019.0465

[Tool holder M14x1](#)

Product ID : 10257870
Previous product ID : W00019.0466
