

Centering drill, center 60°

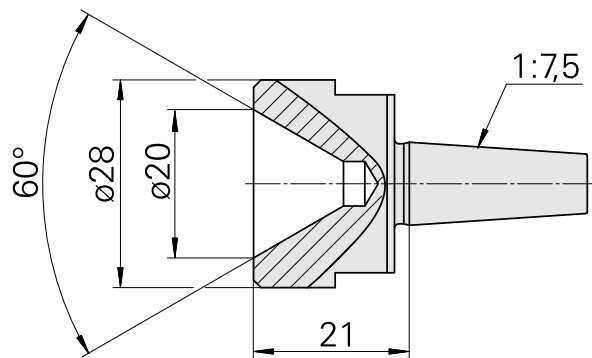
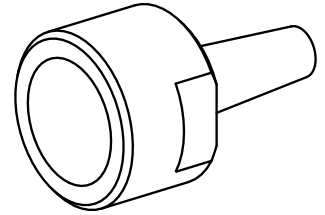
Technical data

TH accessories category

Center, universal

Mounting

D11.2/Cone 1:7.5



Documents

No downloads available for this product