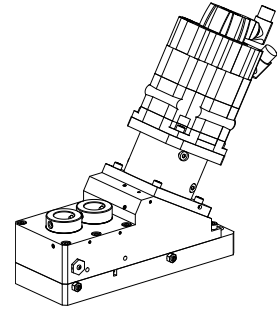


Back end unit MS52 1:1 WFB 32-20, fluid-cooled drive

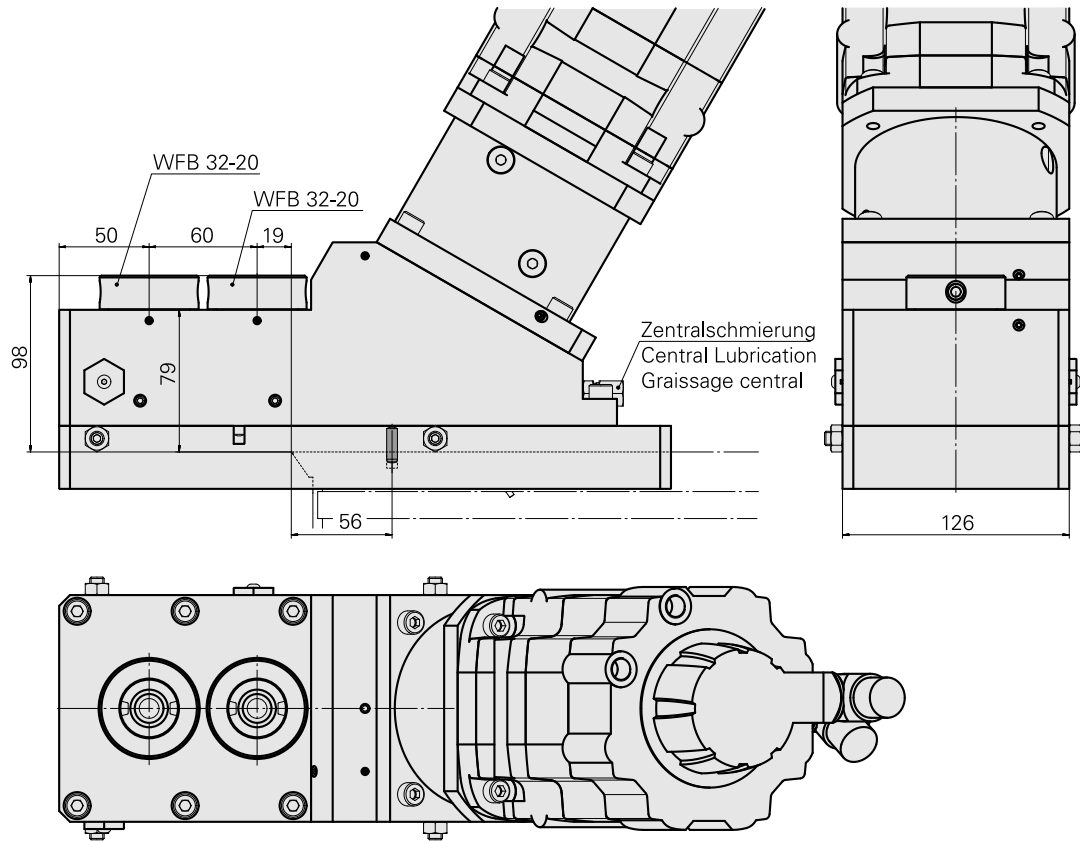
Technical data

Slide system MS	MS52
Drive	Direct drive
Fixation MS	Splined key/pin
Speed ratio	1:1
Cooling	external
Pressure	80 bar
Mounting	WFB 32-20
X [mm]	–
Y [mm]	–
Z [mm]	–
INDEX TRAUB products	MS52C • MS52-6.3



Note

Can be used only in positions X.3! The unit must be connected to a central lubrication system! The unit may only be used in combination with any of the specified motors and the corresponding UNIT!
Motor (AC), 10 Nm – 12107824 (Siemens 1FT7062-5WK74-1NK2) included. UNIT
154



Documents

Product notes

[DE \(pdf\)](#)

[EN \(pdf\)](#)

[FR \(pdf\)](#)

[PT \(pdf\)](#)

[DE \(pdf\)](#)

[EN \(pdf\)](#)

[FR \(pdf\)](#)

Accessories

Required for operation

[Assembly parts](#)

Product ID : 10826974

Previous product ID : W00031.0002

[Cable kit, 5m im Arbeitsraum](#)

Product ID : 10912003

Previous product ID : GM5702.9055

Optional accessories

Other accessories

[Shrink WFB 32-20 adapter](#)

Product ID : 10726868

Previous product ID : WZ9990.3206F

[Adapter WFB 32-20 Weldon](#)

Product ID : 10305353

Previous product ID : WZ9990.3207F

[Adapter WFB 32-20 with collet mounting](#)

Product ID : 10298507
Previous product ID : WZ9990.3208F

[adapter WFB 32-20 mill arbor mounting](#)

Product ID : 10640736
Previous product ID : WZ9990.3209F

[WFB hydr. expansion mounting](#)

Product ID : 10946690
Previous product ID : WZ9990.3210F

[Grub screw M10x1x11](#)

Product ID : 10165359
Previous product ID : 326057
