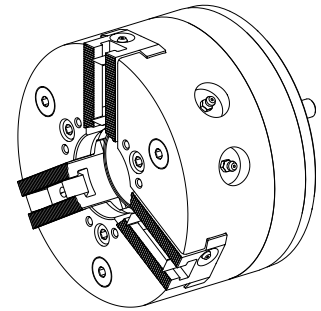


3-jaw chuck

Technical data

INDEX TRAUB products	TNX65/42
Spindle clearance	65mm
Machining side	Main spindle • Counter spindle
manufacturer product line	KFD-HS175
Spindle mounting	KK 6
manufacturer product line	Roehm



No 3-side view is currently available for this product

Documents

No downloads available for this product

Accessories

Optional accessories

O-Rings

[Gasket ring OR 64,0 X2,0](#)

Product ID : 10969405

Previous product ID : 319817

manufacturer product line Trelleborg	TSS material no.	Cord size 2 Millimeter	manufacturer product line O-ring
---	------------------	---------------------------	-------------------------------------

Maintenance packages

[Gasket ring](#)

Product ID : 10674942

Previous product ID : 479103.0752

[O-RING 72,75X1,78 V70SH](#)

Product ID : 10840379

Previous product ID : 479103.0721

Other accessories

[Mounting jaws Id.Nr 046403 \(3x 116735\)](#)

Product ID : 10645157

Previous product ID : 908127.2951

[Threaded bush KFD-HS 175 A6](#)

Product ID : 10814016

Previous product ID : 468832

10572794
323465

INDEX

Cover

Product ID : 10683451
Previous product ID : 940779

Boring fixture Standard-Umfang bis Ø250mm

Product ID : 10362531
Previous product ID : W9991012

Boring fixture Premium-Umfang bis Ø250mm

Product ID : 10422192
Previous product ID : W9991013

Spanner

Product ID : 10206139
Previous product ID : 776192
