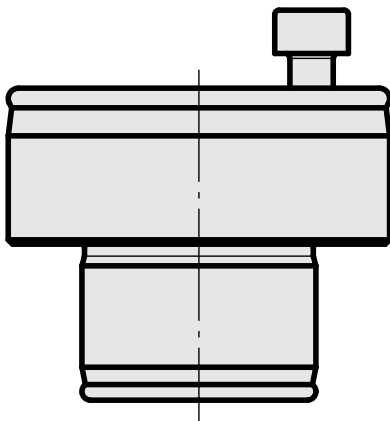
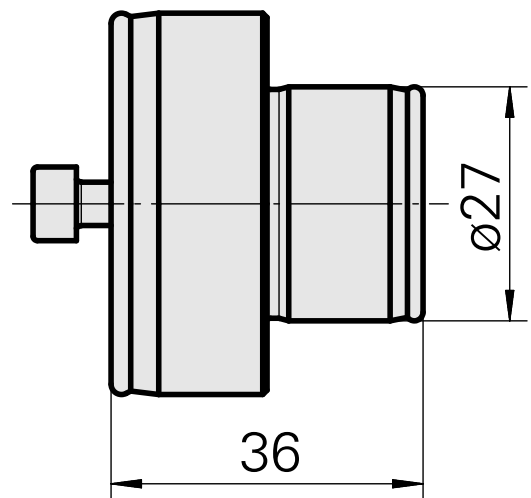
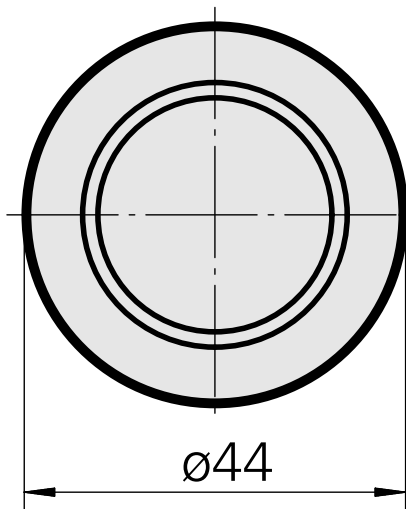
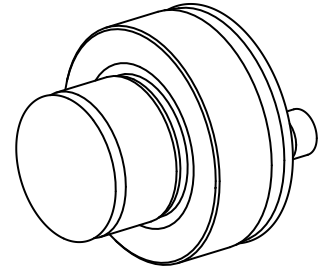


## Base element, for presetting unit

### Technical data

TH accessories category

Adapter pin D27



## **Documents**

No downloads available for this product