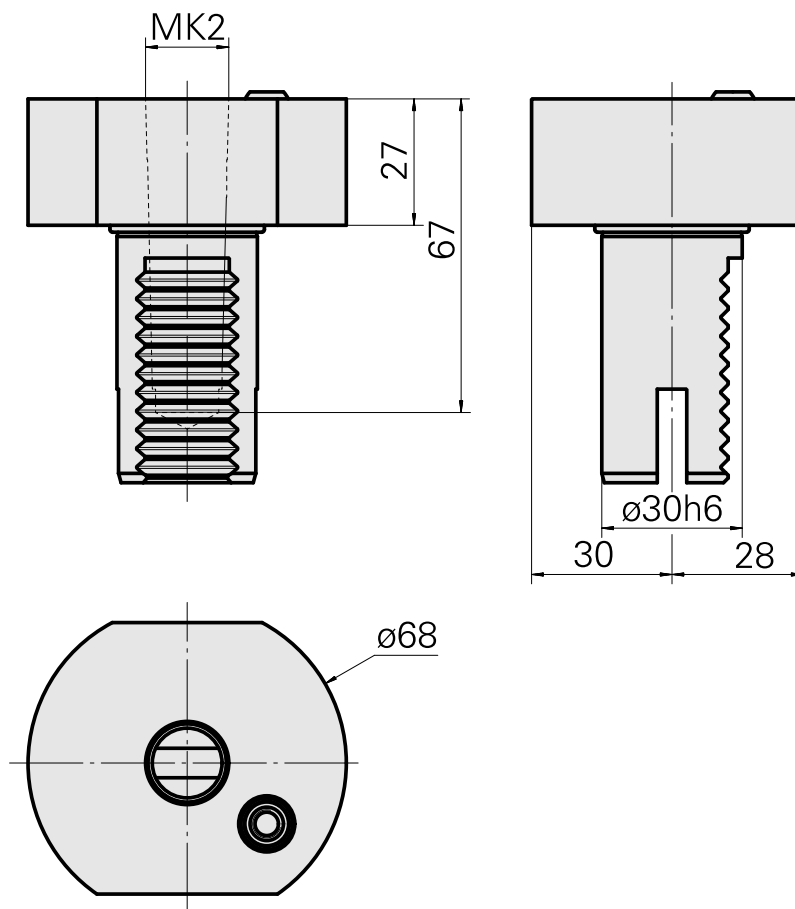
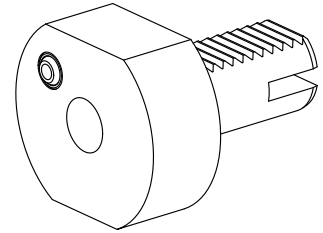


Drilling tool holder VDI 30 MK2

Technical data

| | |
|----------------------|--|
| Shank VDI | VDI 30 |
| Drive | not live |
| Fixation VDI | none |
| Cooling | external |
| Pressure | 20 bar |
| Mounting | MK2 |
| reversible 180° | no |
| Data carrier | check tool station bore |
| X [mm] | 27 (1.06") |
| Y [mm] | - |
| Z [mm] | - |
| INDEX TRAUB products | IT600 • V100 • V200 • V160C • V160G • V300 • TNA300 |



Documents

No downloads available for this product